

Shear beam, model F3201

EN

Scherstab, Typ F3201

DE



Model F3201

EN	Operating instructions model F3201	Page	3 - 22
-----------	---	-------------	---------------

DE	Betriebsanleitung Typ F3201	Seite	23 - 43
-----------	------------------------------------	--------------	----------------

© 08/2021 WIKA GmbH

All rights reserved. / Alle Rechte vorbehalten.

WIKA® is a registered trademark in various countries.

WIKA® ist eine geschützte Marke in verschiedenen Ländern.

Prior to starting any work, read the operating instructions!

Keep for later use!

Prior to starting any work, read the operating instructions!

Keep for later use!

Contents

1. General information	4
2. Design and function	5
2.1 Overview	5
2.2 Description	5
2.3 Scope of delivery	5
3. Safety	6
3.1 Explanation of symbols	6
3.2 Intended use	7
3.3 Improper use	8
3.4 Responsibility of the operator	8
3.5 Personnel qualification	9
3.6 Personal protective equipment	9
3.7 Labelling, safety marks	10
4. Transport, packaging and storage	11
4.1 Transport	11
4.2 Packaging and storage	11
5. Commissioning, operation	12
5.1 Mounting precaution	12
5.2 Mounting instructions	12
5.3 Mounting	13
5.4 Electrical connection	14
6. Faults	15
7. Maintenance and cleaning	16
7.1 Maintenance	16
7.2 Cleaning	16
7.3 Recalibration	16
8. Dismounting, return and disposal	17
8.1 Dismounting	17
8.2 Return	17
8.3 Disposal	17
9. Specifications	18
9.1 Approvals	20
10. Accessories	21
Annex: EU declaration of conformity	22

EN

1. General information

- The shear beams described in the operating instructions have been designed and manufactured using state-of-the-art technology. All components are subject to stringent quality and environmental criteria during production. Our management systems are certified to ISO 9001.
- These operating instructions contain important information on handling the instrument. Working safely requires that all safety instructions and work instructions are observed.
- Observe the relevant local accident prevention regulations and general safety regulations for the instrument's range of use.
- The operating instructions are part of the product and must be kept in the immediate vicinity of the instrument and readily accessible to skilled personnel at any time. Pass the operating instructions on to the next operator or owner of the instrument.
- Skilled personnel must have carefully read and understood the operating instructions prior to beginning any work.
- The general terms and conditions contained in the sales documentation shall apply.
- Subject to technical modifications.
- Factory calibrations / DAkkS calibrations are carried out in accordance with international standards.

Further information:

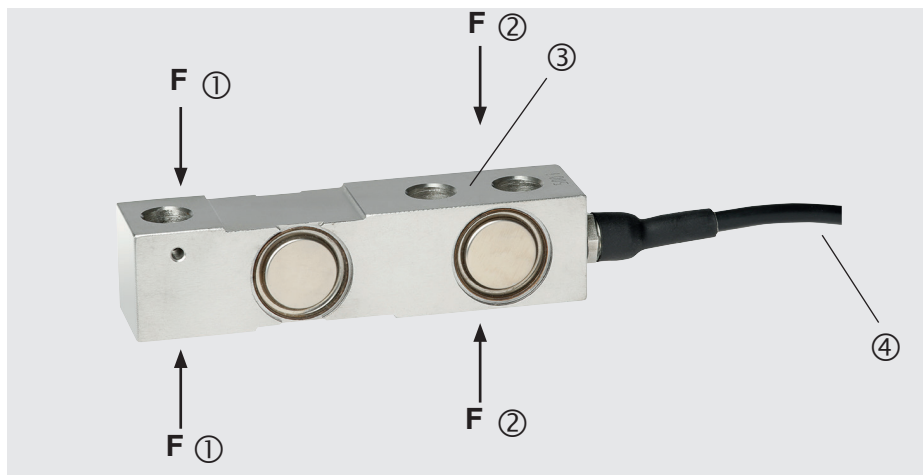
- Internet address: www.wika.com
- Relevant data sheet: FO 51.72
- Application consultant: Tel.: +49 9372 132-0
Fax: +49 9372 132-406
info@wika.de

Abbreviations, definitions

2-wire	The two connection leads are used for the voltage supply. The measuring signal also provides the supply current.
3-wire	Two connection leads are used for the voltage supply. One connection lead is used for the measuring signal.
UB+	Positive power supply terminal
UB-	Negative power supply terminal
S+	Positive output terminal
S-	Negative output terminal
Shield	Case

2. Design and function

2.1 Overview



EN

- ① Force introduction (F) tension or compression force
- ② Bearing force
- ③ Measuring spring
- ④ Cable outlet

2.2 Description

The shear beams are designed for the measurement of static and dynamic measuring requirements. They can measure tension and compression forces. They serve for determining shear forces in diverse fields of application. The shear beam consists of a measuring spring with strain gauges glued to it. The measuring body is made of stainless steel and is elastically deformed by a force introduced in the force direction. The resulting mechanical tensions are measured by the applied strain gauges and output as a raw electrical signal.

2.3 Scope of delivery

- Shear beam
- Operating instructions

3. Safety

3.1 Explanation of symbols

EN



WARNING!

... indicates a potentially dangerous situation that can result in serious injury or death, if not avoided.



CAUTION!

... indicates a potentially dangerous situation that can result in light injuries or damage to property or the environment, if not avoided.



DANGER!

... indicates a potentially dangerous situation in the hazardous area that can result in serious injury or death, if not avoided.



DANGER!

... identifies hazards caused by electrical power. Should the safety instructions not be observed, there is a risk of serious or fatal injury.



Information

... points out useful tips, recommendations and information for efficient and trouble-free operation.

3.2 Intended use

Model	Version
F3201	Standard version

These instruments have been designed and tested in accordance with the relevant safety regulations for electronic measuring instruments. Any usage outside of this is deemed to be improper. The faultless functioning and operational safety of the shear beams can only be guaranteed when complying with the instructions given in the operating instructions. During its use, the legal and safety regulations (e.g. VDE 0100) required for the particular application must additionally be observed. This also applies accordingly when using accessories. Shear beams are RoHS-compliant in accordance with directive 2011/65/EU Art. 2 (2) and (4) d), e) and g). The shear beam is no safety element in the sense of its intended use. Faultless and safe operation of this transducer requires proper transport, professional storage, installation and mounting as well as careful operation and corrective maintenance.

The instrument has been designed and built solely for the intended use described here, and may only be used accordingly.

The technical specifications contained in these operating instructions must be observed. Improper handling or operation of the instrument outside of its technical specifications requires the instrument to be taken out of service immediately and inspected by an authorised service engineer.

Handle electronic precision measuring instruments with the required care (protect it from humidity, impacts, strong magnetic fields, static electricity and extreme temperatures, do not insert any objects into the instrument or its openings). Wires, plugs and sockets must be protected from contamination.

The manufacturer shall not be liable for claims of any type based on operation contrary to the intended use.

3.3 Improper use

EN



WARNING!

Injuries through improper use

Improper use of the instrument can lead to hazardous situations and injuries.

- ▶ Refrain from unauthorised modifications to the instrument.

Any use beyond or different to the intended use is considered as improper use.

3.4 Responsibility of the operator

The instrument is used in the industrial sector. The operator is therefore responsible for legal obligations regarding safety at work.

The safety instructions within these operating instructions, as well as the safety, accident prevention and environmental protection regulations for the application area of the instrument must be maintained.

The operator is obliged to maintain the product label in a legible condition.

To ensure safe working on the instrument, the operating company must ensure

- that suitable first-aid equipment is available and aid is provided whenever required.
- that the skilled electrical personnel are regularly instructed in all topics regarding occupational safety, first aid and environmental protection and know the operating instructions and in particular, the safety instructions contained therein.
- that the instrument is suitable for the particular application in accordance with its intended use.
- that personal protective equipment is available.

3.5 Personnel qualification

**WARNING!****Risk of injury should qualification be insufficient**

Improper handling can result in considerable injury and damage to property.

- ▶ The activities described in these operating instructions may only be carried out by skilled personnel who have the qualifications described below.

Skilled electrical personnel

Skilled electrical personnel are understood to be personnel who, based on their technical training, know-how and experience as well as their knowledge of country-specific regulations, current standards and directives, are capable of carrying out work on electrical systems and independently recognising and avoiding potential hazards. The skilled electrical personnel have been specifically trained for the work environment they are working in and know the relevant standards and regulations. The skilled electrical personnel must comply with current legal accident prevention regulations.

Special knowledge for working with instruments for hazardous areas:

The skilled electrical personnel must have knowledge of ignition protection types, regulations and provisions for equipment in hazardous areas.

Special operating conditions require further appropriate knowledge, e.g. of aggressive media.

3.6 Personal protective equipment

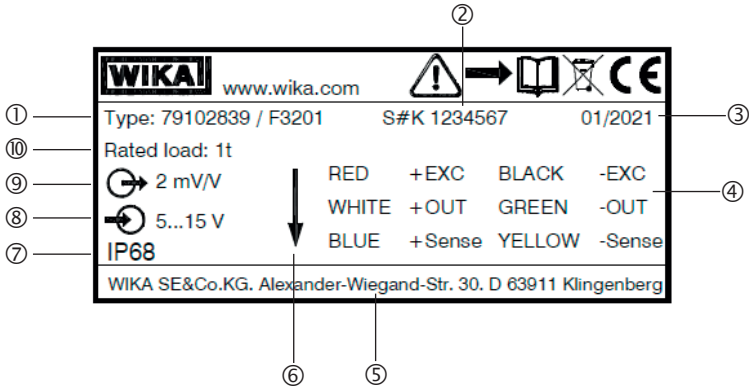
The requirements for the required protective equipment result from the ambient conditions at the place of use, other products or the connection to other products.

The requisite personal protective equipment must be provided by the operating company. The operator is in no way relieved of his obligations under labour law for the safety and the protection of workers' health.

The design of the personal protective equipment must take into account all operating parameters of the place of use.

3.7 Labelling, safety marks

Product label (example)



- ① Model
- ② Serial number, TAG number
- ③ Date of manufacture calendar week/year
- ④ Pin assignment
- ⑤ Address
- ⑥ Force direction, the direction of the arrow indicates the direction of the loading
- ⑦ Ingress protection per IEC/EN 60529
- ⑧ Supply voltage, excitation voltage for mV/V sensor
- ⑨ Output signal
- ⑩ Rated load

4. Transport, packaging and storage

4.1 Transport

Check the shear beam for any damage that may have been caused by transport. Obvious damage must be reported immediately.



CAUTION!

Damage through improper transport

With improper transport, a high level of damage to property can occur.

- ▶ When unloading packed goods upon delivery as well as during internal transport, proceed carefully and observe the symbols on the packaging.
- ▶ With internal transport, observe the instructions in chapter 4.2 “Packaging and storage”.

As precision measuring instruments, transducers require careful handling during transport and mounting. Load impacts during transport (e.g. hitting a hard surface) can lead to permanent damage, resulting in measuring errors in the subsequent measuring operation.

4.2 Packaging and storage

Do not remove packaging until just before mounting.

Keep the packaging as it will provide optimum protection during transport (e.g. change in installation site, sending for repair).

The measuring spring is made completely of stainless steel. The version of the accessory cables has an ingress protection of IP67. The ingress protection of IP67 is only guaranteed with the cable connected. During storage the protective cap must always be on the electrical connection to avoid entry of moisture and dirt.

Permissible conditions at the place of storage:

- Storage temperature: -40 ... +85 °C
- Humidity: 35 ... 85 % relative humidity (non-condensing)

Avoid exposure to the following factors:

- Mechanical vibration, mechanical shock (putting it down hard)
- Dust, dirt, and other objects may not be deposited in such a way that they form a force shunt with the measuring spring, since this will falsify the measuring signal.

5. Commissioning, operation

5.1 Mounting precaution

EN

- Shear beams are sensitive measuring instruments and must be handled with appropriate care.
- Before installing the shear beam, check whether the mounting position have been executed dimensionally accurately, thus guaranteeing problem-free mechanical fixation of the shear beam.
- It must be ensured that there is no force shunt between the contact surface of the transducer and the force introduction. The measuring spring must also be free of force shunts in the area of the force introduction under rated load. A gap of at least 0.5 mm must be provided.
- Before installation, make sure that the drilling chips have been removed from the holes.
- Depending on the installation situation, lubricant may be required in the holes for mounting the shear beam.
- In the area of the contact surface of the shear beam, an even surface must be ensured.
- Depending on the installation situation and the availability of mechanical mounting kits, holes must be drilled.

5.2 Mounting instructions

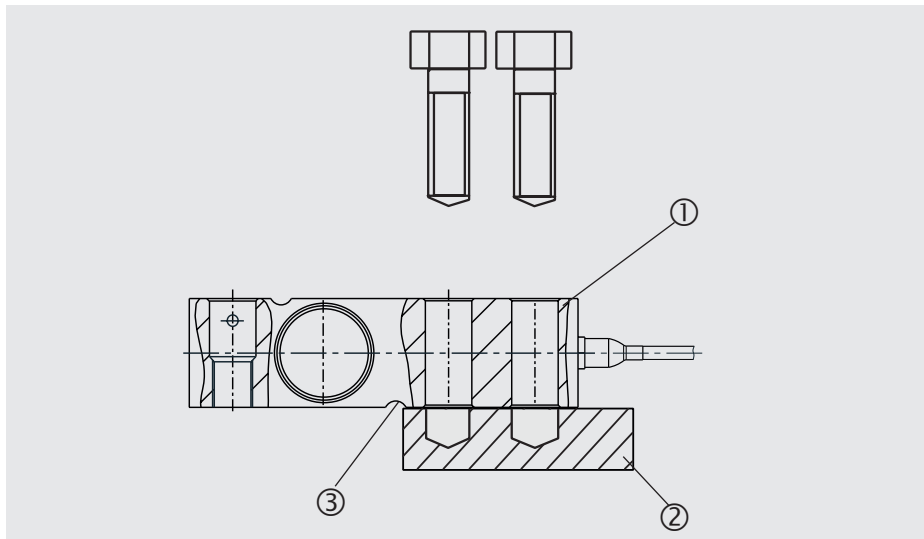


CAUTION!

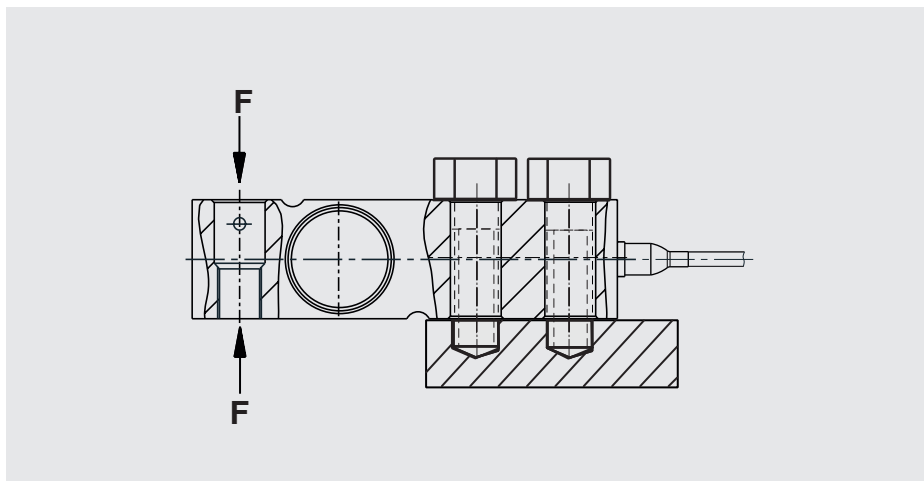
Damage to the instrument through improper installation

- Improper assembly can lead to improper loads on the shear beam due to torsional and shear forces. These loads cause measured errors and can permanently damage or destroy the shear beam.
- Incorrect loading can lead to permanent damage resulting in a zero point offset in the unloaded state.
- Carry out the mounting of the shear beam without using strong force (e.g. hammer).
- Do not use the shear beam as a climbing aid.
- The force acting on the shear beam must be applied at the designated point in the correct load direction.
- Pay attention to the mounting instructions.
- The output signal and the pin assignment are stated on the product label.
- During mounting of the shear beam, the output signal (force value) must always be monitored to avoid mechanical overload.
- Avoid torsional torques, off-centre loads and transverse loads or lateral forces. Transverse loads and lateral forces also include the corresponding components of the measurands that are introduced slanted.
- The shear beam may only be subjected to loads in the type of bearing provided.

5.3 Mounting



Place the shear beam ① onto the mounting surface ②. It must only rest up to the notch ③. With M12 screws (property class 8.8) a tightening torque of 90 Nm is recommended. For safety-relevant applications or if the application is subject to official regulations, the calculations corresponding to that standard must be carried out.



Screw the shear beam ① to the mounting surface ②. Load the shear beam in tension or compression, depending on the calibration. The direction of force can be read from the arrow on the product label.

5. Commissioning, operation

5.4 Electrical connection

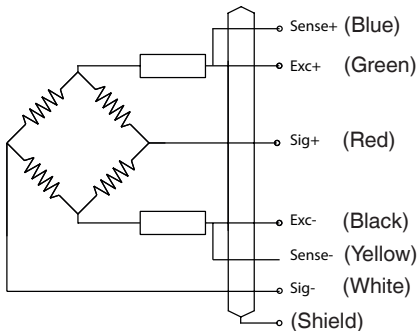
To prevent interferences from coupling into the system, observe the following information:

EN

- A shielded, low-capacitance measuring cable is attached to the force transducer.
- A cable amplifier can be fitted optionally.
- Ground the shield of the measuring cable.
- Avoid stray fields of transformers, motors and contactors.
- When using extensions, only shielded and low-capacitance cables should be used. The permitted maximum and minimum lengths of the cable are defined in ISO 11898-2. Care should be taken also to ensure a high-quality connection of the shielding.
- Do not install measuring cables in parallel to 3-phase-current cables and control cables.
- Transducers, amplifiers and processing or display units must not be grounded several times.

The pin assignment of the connector or the cable and the cable amplifier (fitted optionally) can be found on the product label.

Standard pin assignment for the cable



Electrical connection

Excitation voltage (Exc+)	Green
Excitation voltage (Exc-)	Black
Signal (Sig+)	Red
Signal (Sig-)	White
Sense (+)	Blue
Sense (-)	Yellow
Shield	Shield

6. Faults



DANGER!

Danger to life from explosion

Through working in flammable atmospheres, there is a risk of explosion which can cause death.

- ▶ Only rectify faults in non-flammable atmospheres!



CAUTION!

Physical injuries, damage to equipment

If faults cannot be eliminated by means of the listed measures, the shear beams must be taken out of operation immediately.

- ▶ Contact the manufacturer.
- ▶ If a return is needed, please follow the instructions given in chapter 9.2 “Return”.



For contact details see chapter 1 “General information” or the back page of the operating instructions.

Faults	Causes	Measures
No output signal	No or wrong supply voltage, current pulse	Rectify the supply voltage
	Cable break	Check the continuity
No or wrong output signal	Wrong pin assignment	Check pin assignment
Deviating zero point signal	Overload, load offset, wrong connection	Consult the manufacturer
Constant output signal when changing force	Mechanical overload, wrong pin assignment	Consult the manufacturer
Signal span varies	EMC interference sources in the environment, e.g. frequency converter	Shield instrument; cable shielding; remove source of interference
Signal span drops/too small	Mechanical overloading	Consult the manufacturer

Defective instruments must be returned to the manufacturer.

7. Maintenance and cleaning

EN



For contact details see chapter 1 “General information” or the back page of the operating instructions.

7.1 Maintenance

This instrument is maintenance-free.

Repairs must only be carried out by the manufacturer.
Only use original parts (see chapter 10 “Accessories”).

7.2 Cleaning

1. Prior to cleaning, disconnect the shear beam from the voltage supply and dismount it.
2. Clean the shear beam with a cloth.

Electrical connections must not come into contact with moisture!



CAUTION!

Damage to the instrument

Improper cleaning may lead to damage to the instrument!

- ▶ Do not use any aggressive cleaning agents.
- ▶ Do not use any hard or pointed objects for cleaning.

7.3 Recalibration

DAkkS calibration certificate, traceable and accredited in accordance with ISO/IEC 17025:

We recommend that the shear beam is regularly recalibrated by the manufacturer, with time intervals of approx. 24 months.

8. Dismounting, return and disposal

8.1 Dismounting



DANGER!

Danger to life caused by electric current

Upon contact with live parts, there is a direct danger to life.

- ▶ The dismounting of the instrument may only be carried out by skilled personnel.

Relieve the shear beam and disconnect it from power. Remove the shear beam from the mounting.

8.2 Return

Strictly observe the following when shipping the instrument:

All delivered instruments must be free from any kind of hazardous substances (acids, bases, solutions, etc.) and must therefore be cleaned before being returned.

When returning the instrument, use the original packaging or a suitable transport packaging.

To avoid damage:

1. Wrap the instrument in an antistatic plastic film.
2. Place the instrument, along with the shock-absorbent material, in the packaging.
Place shock-absorbent material evenly on all sides of the transport packaging.
3. If possible, place a bag containing a desiccant inside the packaging.
4. Label the shipment as carriage of a highly sensitive measuring instrument.



Information on returns can be found under the heading “Service” on our local website.

8.3 Disposal

Incorrect disposal can put the environment at risk.

Dispose of instrument components and packaging materials in an environmentally compatible way and in accordance with the country-specific waste disposal regulations.



Do not dispose of with household waste. Ensure a proper disposal in accordance with national regulations.

9. Specifications

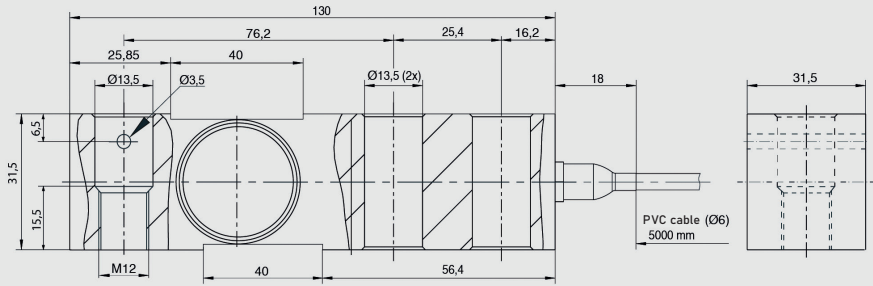
EN

Model	F3201
Rated force F_{nom} kN	500, 750, 1,000, 2,000
Relative linearity error $d_{lin}^{1)}$	0.017 % F_{nom}
Accuracy class	3,000 intervals per OIML R60 Class C
Relative creep, 30 min.	< ± 0.016 % F_{nom}
Relative reversibility error v	± 0.015 % F_{nom}
Temperature effect on zero signal TK_0	$\leq \pm 0.02$ % $F_{nom} / 10$ K
Temperature effect on characteristic value TK_c	$\leq \pm 0.012$ % $F_{nom} / 10$ K
Force limit F_L	150 % F_{nom}
Breaking force F_B	200 % F_{nom}
Material of the measuring body	Stainless steel
Rated temperature range $B_{T, nom}$	-10 ... +40 °C
Operating temperature range $B_{T, G}$	-30 ... +70 °C
Input resistance R_e	400 \pm 20 Ω
Output resistance R_a	350 \pm 3 Ω
Insulation resistance R_{is}	$\leq 5,000$ M Ω
Output signal (rated characteristic value) C_{nom}	2.0 mV/V
Electrical connection	Measuring cable $\varnothing 6 \times 5$ m
Excitation voltage $B_{U, nom}$	DC 10 ... 15 V
Ingress protection (per IEC/EN 60529)	IP68 and IP69K
Weight	0.9 kg

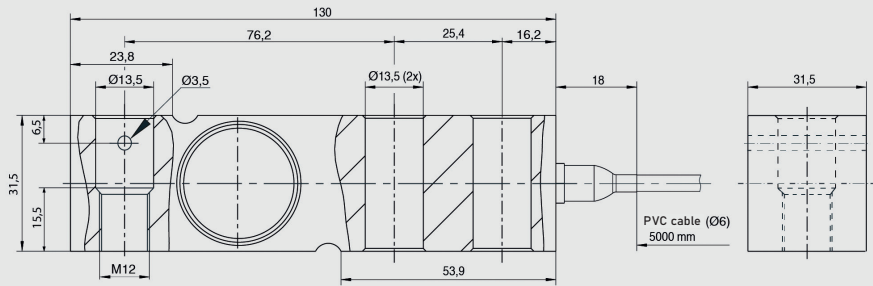
1) Relative linearity error is specified in acc. with Directive VDI/VDE/DKD 2638 Chap. 3.2.6.

Dimensions in mm

500 kg



750 ... 2.000 kg



EN

9. Specifications

9.1 Approvals

Logo	Description	Country
	EU declaration of conformity <ul style="list-style-type: none">■ RoHS directive	European Union
	OIML <ul style="list-style-type: none">■ International Organization of Legal Metrology	International

EN

10. Accessories

EN

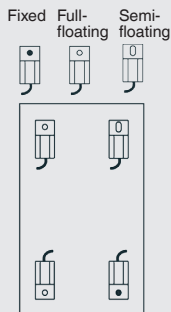
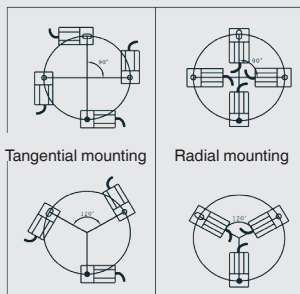
Description

AZK02



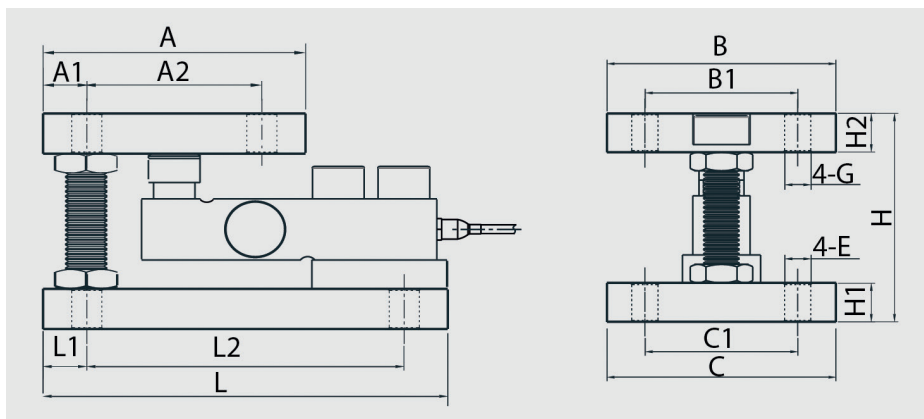
Mounting kit
Material: Stainless steel
Weight: 7 kg

Mounting options



AZK01

Mounting options as with AZK02.
As well as the AZK02 mounting kit, base plates, load feet and rubber elements are also available.
Dimensions on request.



Rated load in kg	Dimensions in mm														
	L	L1	L2	A	A1	A2	B	B1	C	C1	H	H1	H2	ØG	ØE
500 / 750 / 1,000 / 2,000	168	15	136	136	15	70	100	70	100	70	94	20	20	13.5	11



EN

EU-Konformitätserklärung EU Declaration of Conformity

Dokument Nr.
Document No. 14519058.01

Wir erklären in alleiniger Verantwortung, dass die mit CE gekennzeichneten Produkte
We declare under our sole responsibility that the CE marked products

Typenbezeichnung
Type Designation F3201

Beschreibung
Description Scherstab
Shear Beam

gemäß gültigem Datenblatt
according to the valid data sheet FO 51.72

mit den nachfolgenden relevanten Harmonisierungsvorschriften der Union
are in conformity with the following relevant Union harmonisation legislation Angewandte harmonisierte Normen
Applied harmonised standards

2011/65/EU Gefährliche Stoffe (RoHS)
Hazardous substances (RoHS)


EN IEC 63000:2018

Unterszeichnet für und im Namen von / *Signed for and on behalf of*

WIKAI Alexander Wiegand SE & Co. KG

Klingenberg, 2021-11-25


Stefan Richter, General Management
CoE Force Measurement


Michael Kirsch, Head of Quality Management
CoE Force Measurement

WIKAI Alexander Wiegand SE & Co. KG
Alexander-Wiegand-Straße 30
63911 Klingenberg
Germany
WEEE-Reg.-Nr. DE 92770372

Tel. +49 9372 132-0
Fax +49 9372 132-406
E-Mail info@wika.de
www.wika.de

Kommanditgesellschaft, Sitz Klingenberg –
Amtsgericht Aschaffenburg HRA 1819

Komplementärin:
WIKAI International SE – Sitz Klingenberg –
Amtsgericht Aschaffenburg HRB 10505
Vorstand: Alexander Wiegand
Vorsitzender des Aufsichtsrats: Prof. Dr. Rodenich C. Thümmel
21AR-04210

79101735.01.08/2021 EN/DE

Inhalt

1. Allgemeines	26
2. Aufbau und Funktion	27
2.1 Übersicht	27
2.2 Beschreibung	27
2.3 Lieferumfang	27
3. Sicherheit	28
3.1 Symbolerklärung	28
3.2 Bestimmungsgemäße Verwendung	29
3.3 Fehlgebrauch	30
3.4 Verantwortung des Betreibers.	30
3.5 Personalqualifikation	31
3.6 Persönliche Schutzausrüstung	31
3.7 Beschilderung, Sicherheitskennzeichnungen	32
4. Transport, Verpackung und Lagerung	33
4.1 Transport.	33
4.2 Verpackung und Lagerung.	33
5. Inbetriebnahme, Betrieb	34
5.1 Montagevorkehrung	34
5.2 Montagehinweise	34
5.3 Montage	35
5.4 Elektrischer Anschluss	36
6. Störungen	37
7. Wartung und Reinigung	38
7.1 Wartung	38
7.2 Reinigung	38
7.3 Rekalibrierung	38
8. Demontage, Rücksendung und Entsorgung	39
8.1 Demontage	39
8.2 Rücksendung	39
8.3 Entsorgung	39
9. Technische Daten	40
9.1 Zulassungen	42
10. Zubehör	43
Anlage: EU-Konformitätserklärung	44

DE

11. Allgemeines

- Die in der Betriebsanleitung beschriebenen Scherstäbe werden nach dem aktuellen Stand der Technik konstruiert und gefertigt. Alle Komponenten unterliegen während der Fertigung strengen Qualitäts- und Umweltkriterien. Unsere Managementsysteme sind nach ISO 9001 zertifiziert.
- Diese Betriebsanleitung gibt wichtige Hinweise zum Umgang mit dem Gerät. Voraussetzung für sicheres Arbeiten ist die Einhaltung aller angegebenen Sicherheitshinweise und Handlungsanweisungen.
- Die für den Einsatzbereich des Gerätes geltenden örtlichen Unfallverhütungsvorschriften und allgemeinen Sicherheitsbestimmungen einhalten.
- Die Betriebsanleitung ist Produktbestandteil und muss in unmittelbarer Nähe des Gerätes für das Fachpersonal jederzeit zugänglich aufbewahrt werden. Betriebsanleitung an nachfolgende Benutzer oder Besitzer des Gerätes weitergeben.
- Das Fachpersonal muss die Betriebsanleitung vor Beginn aller Arbeiten sorgfältig durchgelesen und verstanden haben.
- Es gelten die allgemeinen Geschäftsbedingungen in den Verkaufsunterlagen.
- Technische Änderungen vorbehalten.
- Werkskalibrierungen / DAkKS-Kalibrierungen erfolgen nach internationalen Normen.

Weitere Informationen:

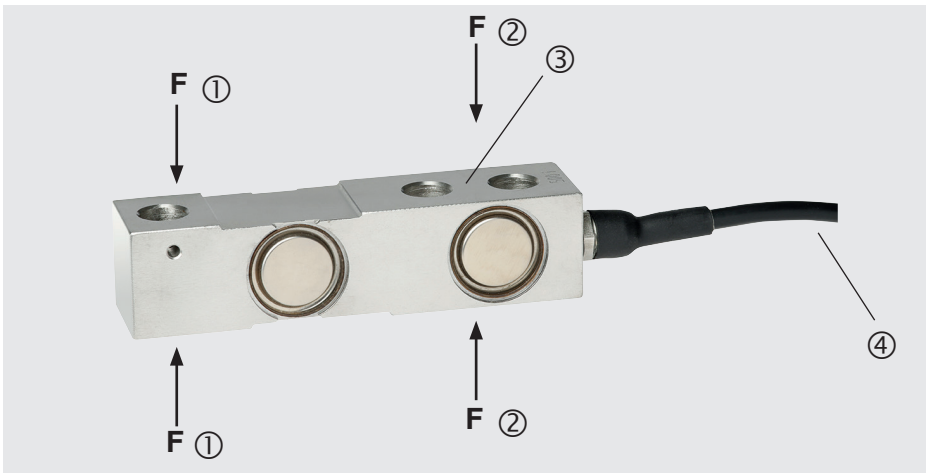
- Internet-Adresse: www.wika.de
- Zugehöriges Datenblatt: FO 51.72
- Anwendungsberater: Tel.: +49 9372 132-0
Fax: +49 9372 132-406
info@wika.de

Abkürzungen, Definitionen

2-Leiter	Die zwei Anschlussleitungen dienen zur Spannungsversorgung. Der Speisestrom ist das Messsignal.
3-Leiter	Zwei Anschlussleitungen dienen zur Spannungsversorgung. Eine Anschlussleitung dient für das Messsignal.
UB+	Positiver Versorgungsanschluss
UB-	Negativer Versorgungsanschluss
S+	Positiver Messanschluss
S-	Negativer Messanschluss
Schirm	Gehäuse

12. Aufbau und Funktion

12.1 Übersicht



- ① Krafteinleitung (F) Zug- oder Druckkraft
- ② Lagerkraft
- ③ Messfeder
- ④ Kabelausgang

12.2 Beschreibung

Die Scherstäbe sind für das Messen statischer und dynamischer Kräfte vorgesehen. Sie können Zug- oder Druckkräfte messen. Sie dienen der Ermittlung der Scherkräfte in vielfältigen Anwendungsbereichen. Der Scherstab besteht aus einer Messfeder und aufgeklebten Dehnungsmessstreifen. Der Messkörper ist aus nichtrostendem CrNi-Stahl gefertigt und wird durch in Krafrichtung eingeleitete Druckkraft elastisch verformt. Die entstehenden mechanischen Spannungen werden dann durch die aufgebrachten Dehnungsmessstreifen gemessen und als elektrisches Rohsignal ausgegeben.

12.3 Lieferumfang

- Scherstab
- Betriebsanleitung

13. Sicherheit

13.1 Symbolerklärung

DE



WARNUNG!

... weist auf eine möglicherweise gefährliche Situation hin, die zum Tod oder zu schweren Verletzungen führen kann, wenn sie nicht gemieden wird.



VORSICHT!

... weist auf eine möglicherweise gefährliche Situation hin, die zu geringfügigen oder leichten Verletzungen bzw. Sach- und Umweltschäden führen kann, wenn sie nicht gemieden wird.



GEFAHR!

... weist auf eine möglicherweise gefährliche Situation im explosionsgefährdeten Bereich hin, die zum Tod oder zu schweren Verletzungen führen kann, wenn sie nicht gemieden wird.



GEFAHR!

... weist auf eine möglicherweise gefährliche Situation im explosionsgefährdeten Bereich hin, die zum Tod oder zu schweren Verletzungen führen kann, wenn sie nicht gemieden wird.



Information

... hebt nützliche Tipps und Empfehlungen sowie Informationen für einen effizienten und störungsfreien Betrieb hervor.

13.2 Bestimmungsgemäße Verwendung

Typ	Ausführung
F3201	Standardversion

Diese Geräte sind gemäß den Sicherheitsbestimmungen für elektronische Messgeräte gebaut und geprüft. Jeder darüber hinausgehende Gebrauch gilt als nicht bestimmungsgemäß. Die einwandfreie Funktion und Betriebssicherheit der Scherstäbe kann nur bei Einhaltung der Angaben in der Betriebsanleitung garantiert werden. Bei der Verwendung sind zusätzlich die für den jeweiligen Anwendungsfall erforderlichen Rechts- und Sicherheitsvorschriften zu beachten (z. B. VDE 0100). Sinngemäß gilt dies auch bei Verwendung von Zubehör. Scherstäbe sind RoHS-konform gem. Richtlinie 2011/65/EU Art. 2 Abs. (2) und Absatz (4) d), e) und g). Der Scherstab ist kein Sicherheitselement im Sinne der bestimmungsgemäßen Verwendung. Der einwandfreie und sichere Betrieb dieses Aufnehmers setzt sachgemäßen Transport, fachgerechte Lagerung, Aufstellung und Montage sowie sorgfältige Bedienung und Instandhaltung voraus.

DE

Das Gerät ist ausschließlich für den hier beschriebenen bestimmungsgemäßen Verwendungszweck konzipiert und konstruiert und darf nur dementsprechend verwendet werden.

Die technischen Spezifikationen in dieser Betriebsanleitung sind einzuhalten. Eine unsachgemäße Handhabung oder ein Betreiben des Gerätes außerhalb der technischen Spezifikationen macht die sofortige Stilllegung und Überprüfung durch einen autorisierten Servicemitarbeiter erforderlich.

Elektronische Präzisionsmessgeräte mit erforderlicher Sorgfalt behandeln (vor Nässe, Stößen, starken Magnetfeldern, statischer Elektrizität und extremen Temperaturen schützen, keine Gegenstände in das Gerät bzw. Öffnungen einführen). Litzen, Stecker und Buchsen vor Verschmutzung schützen.

Ansprüche jeglicher Art aufgrund von nicht bestimmungsgemäßer Verwendung sind ausgeschlossen.

13.3 Fehlgebrauch



WARNUNG!

Verletzungen durch Fehlgebrauch

Fehlgebrauch des Gerätes kann zu gefährlichen Situationen und Verletzungen führen.

- ▶ Eigenmächtige Umbauten am Gerät unterlassen.

DE

Jede über die bestimmungsgemäße Verwendung hinausgehende oder andersartige Benutzung gilt als Fehlgebrauch.

13.4 Verantwortung des Betreibers

Das Gerät wird im gewerblichen Bereich eingesetzt. Der Betreiber unterliegt daher den gesetzlichen Pflichten zur Arbeitssicherheit.

Die Sicherheitshinweise dieser Betriebsanleitung, sowie die für den Einsatzbereich des Gerätes gültigen Sicherheits-, Unfallverhütungs- und Umweltschutzvorschriften einhalten.

Der Betreiber ist verpflichtet, das Typenschild lesbar zu halten.

Für ein sicheres Arbeiten am Gerät muss der Betreiber sicherstellen,

- dass eine entsprechende Erste-Hilfe-Ausrüstung vorhanden ist und bei Bedarf jederzeit Hilfe zur Stelle ist.
- dass das Elektrofachpersonal regelmäßig in allen zutreffenden Fragen von Arbeitssicherheit, Erste Hilfe und Umweltschutz unterwiesen wird, sowie die Betriebsanleitung und insbesondere die darin enthaltenen Sicherheitshinweise kennt.
- dass das Gerät gemäß der bestimmungsgemäßen Verwendung für den Anwendungsfall geeignet ist.
- dass die persönliche Schutzausrüstung verfügbar ist.

13.5 Personalqualifikation



WARNUNG!

Verletzungsgefahr bei unzureichender Qualifikation

Unsachgemäßer Umgang kann zu erheblichen Personen- und Sachschäden führen.

- ▶ Die in dieser Betriebsanleitung beschriebenen Tätigkeiten nur durch Fachpersonal nachfolgend beschriebener Qualifikation durchführen lassen.

DE

Elektrofachpersonal

Das Elektrofachpersonal ist aufgrund seiner fachlichen Ausbildung, Kenntnisse und Erfahrungen sowie Kenntnis der landesspezifischen Vorschriften, geltenden Normen und Richtlinien in der Lage, Arbeiten an elektrischen Anlagen auszuführen und mögliche Gefahren selbstständig zu erkennen und zu vermeiden. Das Elektrofachpersonal ist speziell für das Arbeitsumfeld, in dem es tätig ist, ausgebildet und kennt die relevanten Normen und Bestimmungen. Das Elektrofachpersonal muss die Bestimmungen der geltenden gesetzlichen Vorschriften zur Unfallverhütung erfüllen.

Besondere Kenntnisse bei Arbeiten mit Geräten für explosionsgefährdete Bereiche:

Das Elektrofachpersonal muss Kenntnisse haben über Zündschutzarten, Vorschriften und Verordnungen für Betriebsmittel in explosionsgefährdeten Bereichen.

Spezielle Einsatzbedingungen verlangen weiteres entsprechendes Wissen, z. B. über aggressive Messstoffe.

13.6 Persönliche Schutzausrüstung

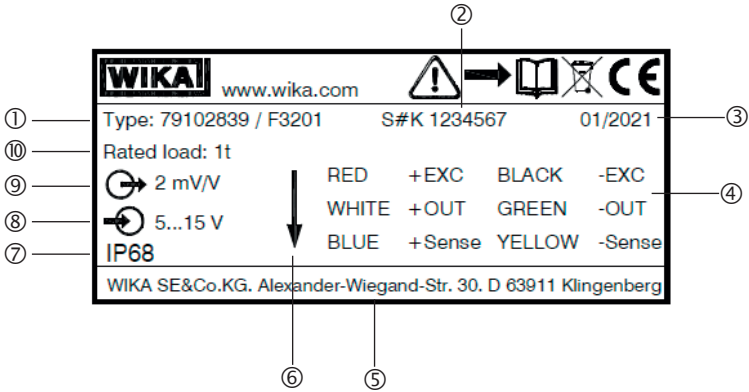
Anforderungen an benötigte Schutzausrüstung ergeben sich aus den Umgebungsbedingungen am Ort der Nutzung, anderen Produkten oder der Verknüpfung mit anderen Produkten.

Die erforderliche persönliche Schutzausrüstung muss vom Betreiber zur Verfügung gestellt werden. Der Betreiber wird durch diese Vorschläge in keiner Weise von seinen arbeitsrechtlichen Pflichten zur Sicherheit und dem Schutz der Gesundheit der Arbeitnehmer entbunden.

Die Bemessung der persönlichen Schutzausrüstung muss unter Berücksichtigung aller Betriebsparameter des Einsatzortes erfolgen.

13.7 Beschilderung, Sicherheitskennzeichnungen

Typenschild (Beispiel)



- ① Typ
- ② Seriennummer, TAG-Nummer
- ③ Herstellungsdatum Kalenderwoche/Jahr
- ④ Anschlussbelegung
- ⑤ Adresse
- ⑥ Krafrichtung, Pfeilrichtung zeigt die Belastungsrichtung an
- ⑦ Schutzart nach IEC/EN 60529
- ⑧ Versorgungsspannung, Speisespannung bei mV/V-Sensor
- ⑨ Ausgangssignal
- ⑩ Nennlast

14. Transport, Verpackung und Lagerung

14.1 Transport

Den Scherstab auf eventuell vorhandene Transportschäden untersuchen. Offensichtliche Schäden unverzüglich mitteilen.



VORSICHT!

Beschädigungen durch unsachgemäßen Transport

Bei unsachgemäßem Transport können Sachschäden in erheblicher Höhe entstehen.

- ▶ Beim Abladen der Packstücke, bei Anlieferung sowie innerbetrieblichem Transport vorsichtig vorgehen und die Symbole auf der Verpackung beachten.
- ▶ Bei innerbetrieblichem Transport die Hinweise unter Kapitel 4.2 „Verpackung und Lagerung“ beachten.

Als Präzisionsmessgeräte verlangen die Aufnehmer beim Transport und der Montage eine sorgfältige Handhabung. Laststöße während des Transports (z. B. Aufschlag auf harten Untergrund) können zu bleibenden Schäden führen, die im späteren Messbetrieb zu Messfehlern führen.

14.2 Verpackung und Lagerung

Verpackung erst unmittelbar vor der Montage entfernen.

Die Verpackung aufbewahren, denn diese bietet bei einem Transport einen optimalen Schutz (z. B. wechselnder Einbauort, Reparatursendung).

Die Messfeder ist vollständig aus CrNi-Stahl hergestellt. Die Ausführung der Zubehörkabel entspricht ebenfalls der Schutzart IP67. Die Schutzart IP67 wird nur mit angeschlossenem Kabel garantiert. Bei der Lagerung muss sich die Schutzkappe immer auf dem elektrischen Anschluss befinden, um einen Feuchtigkeitseintritt sowie Schmutz zu vermeiden.

Zulässige Bedingungen am Lagerort:

- Lagertemperatur: -40 ... +85 °C
- Feuchte: 35 ... 85 % relative Feuchte (keine Betauung)

Folgende Einflüsse vermeiden:

- Mechanische Vibration, mechanischer Schock (hartes Aufstellen)
- Staub, Schmutz und sonstige Gegenstände dürfen sich nicht so ablagern, dass sie einen Kraftnebenschluss zur Messfeder bilden, da dadurch das Messsignal verfälscht wird.

15. Inbetriebnahme, Betrieb

15.1 Montagevorkehrung

- Scherstäbe sind empfindliche Messgeräte und entsprechend sorgsam zu behandeln.
- Vor der Montage des Scherstabs prüfen, ob die Bohrungen der Montageposition maßhaltig ausgeführt wurden, so dass die problemlose mechanische Befestigung des Scherstabs gewährleistet ist.
- Es ist darauf zu achten, dass zwischen der Auflagefläche des Aufnehmers und der Krafteinleitung kein Kraftnebenschluss entsteht. Die Messfeder muss im Bereich der Krafteinleitung auch unter Nennlast frei von Kraftnebenschlüssen sein. Ein Spalt von 0,5 mm ist mindestens vorzusehen.
- Vor der Montage ist darauf zu achten, dass die Bohrspäne aus den Bohrungen entfernt wurden.
- Abhängig von der Einbausituation kann Schmiermittel in den Bohrungen zur Montage des Scherstabs benötigt werden.
- Im Bereich der Auflagefläche des Scherstabs ist auf eine ebene Oberfläche zu achten.
- Je nach Einbausituation und Vorhandensein mechanischer Einbausätze müssen Bohrungen vorgenommen werden.

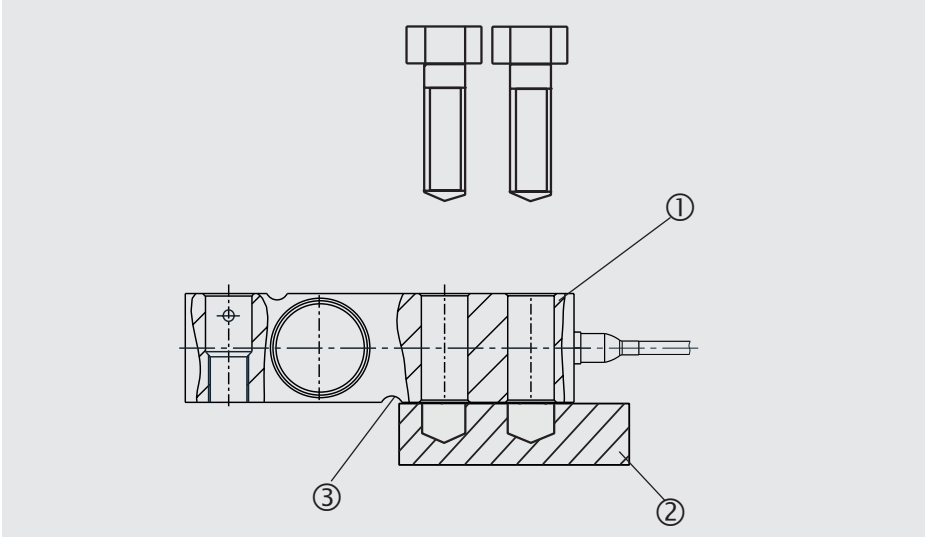
15.2 Montagehinweise



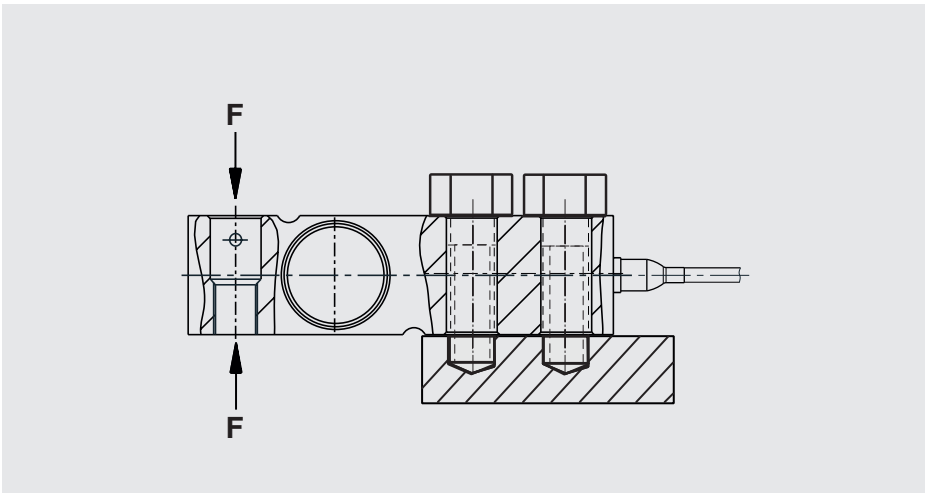
VORSICHT! **Beschädigung des Gerätes durch unsachgemäße Montage**

- Unsachgemäße Montage kann zu Fehlbelastungen des Scherstabs durch Torsions- und Querkräfte führen. Diese Belastungen verursachen Messfehler und können den Scherstab bleibend schädigen oder zerstören.
- Eine Fehlbelastung kann zu dauerhaftem Schaden führen, der eine Nullpunktabweichung im unbelasteten Zustand zur Folge hat.
- Die Montage des Scherstabs ohne starke Gewalteinwirkung (z.B. Hammer) durchführen.
- Den Scherstab nicht als Steighilfe verwenden.
- Die Kraft, die auf den Scherstab wirkt, muss an der dafür vorgesehenen Stelle in der korrekten Lastrichtung eingeleitet werden.
- Die Montagehinweise beachten.
- Das Ausgangssignal und die Anschlussbelegung sind auf dem Typenschild vermerkt.
- Während der Montage des Scherstabs ist das Ausgangssignal (Kraftwert) stets zu überwachen, um eine mechanische Überlastung zu vermeiden.
- Torsionsmomente, außermittige Belastungen und Querbelastungen bzw. Seitenkräfte vermeiden. Zu den Querbelastungen und Seitenkräften gehören auch die entsprechenden Komponenten der eventuell schräg eingeleiteten Messgrößen.
- Der Scherstab darf nur in der vorgesehenen Lagerungsart belastet werden.

15.3 Montage



Den Scherstab ① auf die Montagefläche ② legen. Er darf nur bis zur Einkerbung ③ aufliegen. Mit M12 Schrauben (Festigkeitsklasse 8.8) wird ein Anzugsdrehmoment von 90 Nm empfohlen. Bei sicherheitsrelevanten Anwendungen oder wenn die Anwendung behördlichen Vorschriften unterliegt, müssen die der Norm entsprechenden Kalkulationen durchgeführt werden.



Den Scherstab ① mit der Montagefläche ② verschrauben. Den Scherstab je nach Kalibrierung auf Zug oder Druck belasten. Die Krafrichtung kann an der Pfeilrichtung auf dem Typenschild abgelesen werden.

15.4 Elektrischer Anschluss

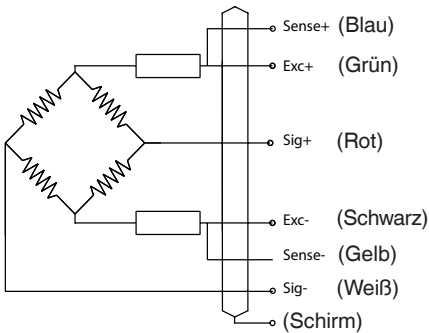
Um Einkopplungen von Störungen zu vermeiden, sind folgende Hinweise zu beachten:

DE

- Ein abgeschirmtes, kapazitätsarmes Messkabel ist am Kraftaufnehmer angebaut.
- Ein Kabelmessverstärker kann optional angebaut werden.
- Den Schirm des Messkabels erden.
- Streufelder von Transformatoren sowie Motoren und Schützen vermeiden.
- Beim Verlängern dürfen nur abgeschirmte und kapazitätsarme Kabel verwendet werden. Die erlaubten maximalen und minimalen Längen des Kabels sind in der ISO 11898-2 angegeben. Dabei ist auf eine hochwertige Verbindung auch der Abschirmung zu achten.
- Messkabel nicht parallel zu Starkstrom- und Steuerleitungen legen.
- Aufnehmer, Verstärker und Verarbeitungs- bzw. Anzeigeeinheit dürfen nicht mehrfach geerdet werden.

Die Anschlussbelegung des Steckers oder des Kabels und des Kabelmessverstärkers (optional angebaut) sind dem Typenschild zu entnehmen.

Standard-Anschlussbelegung des Kabels



Elektrischer Anschluss

Speisespannung (Exc+)	Grün
Speisespannung (Exc-)	Schwarz
Signal (Sig+)	Rot
Signal (Sig-)	Weiß
Sense (+)	Blau
Sense (-)	Gelb
Schirm	Schirm

16. Störungen



GEFAHR!
Lebensgefahr durch Explosion

Durch Arbeiten in entzündlichen Atmosphären besteht Explosionsgefahr, die zum Tod führen kann.

- ▶ Störungen nur in nicht-entzündlichen Atmosphären beseitigen!



VORSICHT!
Körperverletzungen, Sachschäden

Können Störungen mit Hilfe der aufgeführten Maßnahmen nicht beseitigt werden, die Scherstäbe unverzüglich außer Betrieb setzen.

- ▶ Kontakt mit dem Hersteller aufnehmen.
- ▶ Bei notwendiger Rücksendung die Hinweise unter Kapitel 9.2 „Rücksendung“ beachten.



Kontaktaten siehe Kapitel 1 „Allgemeines“ oder Rückseite der Betriebsanleitung.

Störungen	Ursachen	Maßnahmen
Kein Ausgangssignal	Keine oder falsche Hilfsenergie, Stromstoß	Hilfsenergie korrigieren
	Kabelbruch	Durchgang überprüfen
Kein oder falsches Ausgangssignal	Falsche Pinbelegung	Pinbelegung prüfen
Abweichendes Nullpunkt-Signal	Überlast, Last-Offset, falscher Anschluss	Rücksprache mit Hersteller
Gleichbleiben des Ausgangssignals bei Kraftänderung	Mechanische Überlastung, falsche Pinbelegung	Rücksprache mit Hersteller
Spannung schwankend	EMV-Störquellen in Umgebung, z. B. Frequenzumrichter	Gerät abschirmen; Leitungsabschirmung; Störquelle entfernen
Spannung fällt ab/zu klein	Mechanische Überlastung	Rücksprache mit Hersteller

Defekte Geräte sind an den Hersteller zurückzusenden.

17. Wartung und Reinigung



Kontakt Daten siehe Kapitel 1 „Allgemeines“ oder Rückseite der Betriebsanleitung.

DE

17.1 Wartung

Dieses Gerät ist wartungsfrei.

Reparaturen sind ausschließlich vom Hersteller durchzuführen.

Nur Originalteile verwenden (siehe Kapitel 10 „Zubehör“).

17.2 Reinigung

1. Vor der Reinigung der Scherstäbe ordnungsgemäß von Spannungsversorgung trennen und ausbauen.
2. Die Scherstäbe mit einem Tuch reinigen.
Elektrische Anschlüsse nicht mit Feuchtigkeit in Berührung bringen!



VORSICHT!

Beschädigung des Gerätes

Eine unsachgemäße Reinigung führt zur Beschädigung des Gerätes!

- ▶ Keine aggressiven Reinigungsmittel verwenden.
- ▶ Keine harten und spitzen Gegenstände zur Reinigung verwenden.

17.3 Rekalibrierung

DAkKS-Kalibrierzertifikat, rückführbar und akkreditiert nach DIN EN ISO/IEC 17025:

Es wird empfohlen, den Scherstab in regelmäßigen Zeitabständen von ca. 24 Monaten durch den Hersteller rekalibrieren zu lassen.

18. Demontage, Rücksendung und Entsorgung

18.1 Demontage



GEFAHR!

Lebensgefahr durch elektrischen Strom

Bei Berührung mit spannungsführenden Teilen besteht unmittelbare Lebensgefahr.

- ▶ Die Demontage des Gerätes darf nur durch Fachpersonal erfolgen.

Den Scherstab entlasten und vom Strom trennen. Den Scherstab aus der Einbausituation entfernen.

18.2 Rücksendung

Beim Versand des Gerätes unbedingt beachten:

Alle angelieferten Geräte müssen frei von Gefahrstoffen (Säuren, Laugen, Lösungen, etc.) sein und sind daher vor der Rücksendung zu reinigen.

Zur Rücksendung des Gerätes die Originalverpackung oder eine geeignete Transportverpackung verwenden.

Um Schäden zu vermeiden:

1. Das Gerät in eine antistatische Plastikfolie einhüllen.
2. Das Gerät mit dem Dämmmaterial in der Verpackung platzieren.
Zu allen Seiten der Transportverpackung gleichmäßig dämmen.
3. Wenn möglich einen Beutel mit Trocknungsmittel der Verpackung beifügen.
4. Sendung als Transport eines hochempfindlichen Messgerätes kennzeichnen.



Hinweise zur Rücksendung befinden sich in der Rubrik „Service“ auf unserer lokalen Internetseite.

18.3 Entsorgung

Durch falsche Entsorgung können Gefahren für die Umwelt entstehen.

Gerätekomponenten und Verpackungsmaterialien entsprechend den landesspezifischen Abfallbehandlungs- und Entsorgungsvorschriften umweltgerecht entsorgen.



Nicht mit dem Hausmüll entsorgen. Für eine geordnete Entsorgung gemäß nationaler Vorgaben sorgen.

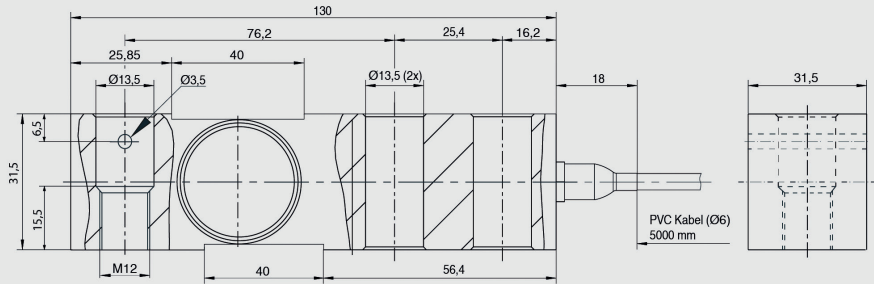
19. Technische Daten

Typ	F3201
Nennkraft F_{nom} kN	500, 750, 1.000, 2.000
Relative Linearitätsabweichung $d_{lin}^{1)}$	0,017 % F_{nom}
Genauigkeitsklasse	3.000 Teile nach OIML R60 Klasse C
Relatives Kriechen, 30 min.	< $\pm 0,016$ % F_{nom}
Relative Umkehrspanne v	$\pm 0,015$ % F_{nom}
Temperatureinfluss auf das Nullsignal TK_{θ}	$\leq \pm 0,02$ % $F_{nom} / 10$ K
Temperatureinfluss auf den Kennwert TK_c	$\leq \pm 0,012$ % $F_{nom} / 10$ K
Grenzkraft F_L	150 % F_{nom}
Bruchkraft F_B	200 % F_{nom}
Werkstoff des Messkörpers	CrNi-Stahl
Nenntemperaturbereich $B_{T, nom}$	-10 ... +40 °C
Gebrauchstemperaturbereich $B_{T, G}$	-30 ... +70 °C
Eingangswiderstand R_e	400 ± 20 Ω
Ausgangswiderstand R_a	350 ± 3 Ω
Isolationswiderstand R_{is}	≤ 5.000 M Ω
Ausgangssignal (Nennkennwert) C_{nom}	2,0 mV/V
Elektrischer Anschluss	Messkabel $\varnothing 6 \times 5$ m
Speisespannung $B_{U, nom}$	DC 10 ... 15 V
Schutzart (nach IEC/EN 60529)	IP68 und IP69K
Gewicht	0,9 kg

1) Relative Linearitätsabweichung ist gem. Richtlinie VDI/VDE/DKD 2638 Kap. 3.2.6 angegeben.

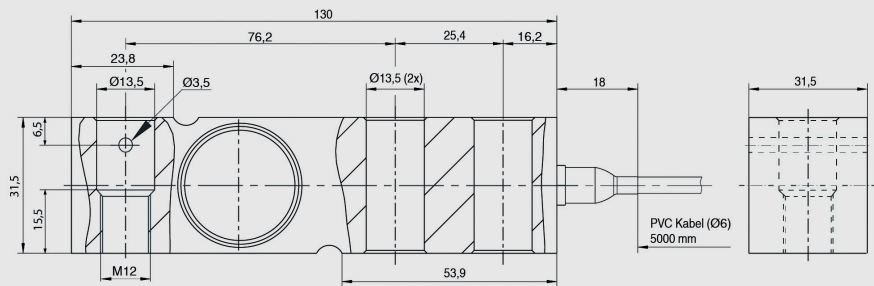
Abmessungen in mm

500 kg





DE

750 ... 2.000 kg



19.1 Zulassungen

Logo	Beschreibung	Land
	EU-Konformitätserklärung <ul style="list-style-type: none">■ RoHS-Richtlinie	Europäische Union
	OIML <ul style="list-style-type: none">■ Internationale Organisation für gesetzliches Messwesen	International

DE

20. Zubehör

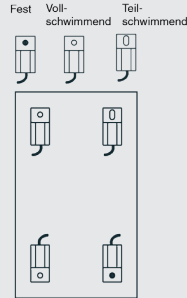
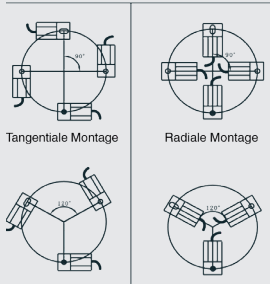
Beschreibung

AZK02



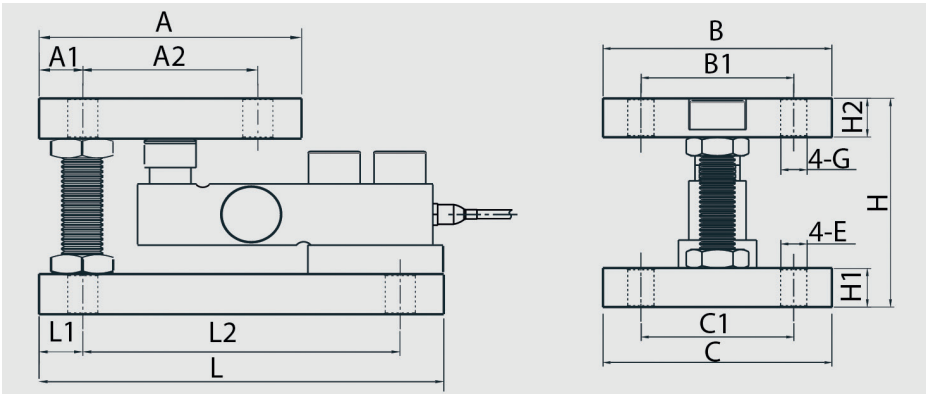
Einbausatz
Werkstoff: CrNi-Stahl
Gewicht 7 kg

Montagemöglichkeiten



AZK01

Montagemöglichkeiten wie bei AZK02.
Neben dem Einbausatz AZK02 sind auch Grundplatten, Lastfüße und Gummielemente verfügbar.
Abmessungen auf Anfrage.



79101735.01.08/2021 EN/DE

Nennlast in kg	Abmessungen in mm														
	L	L1	L2	A	A1	A2	B	B1	C	C1	H	H1	H2	ØG	ØE
500 / 750 / 1.000 / 2.000	168	15	136	136	15	70	100	70	100	70	94	20	20	13,5	11



EU-Konformitätserklärung EU Declaration of Conformity

Dokument Nr.
Document No. 14519058.01

Wir erklären in alleiniger Verantwortung, dass die mit CE gekennzeichneten Produkte
We declare under our sole responsibility that the CE marked products

Typenbezeichnung
Type Designation F3201

Beschreibung
Description Scherstab
Shear Beam

gemäß gültigem Datenblatt
according to the valid data sheet FO 51.72

mit den nachfolgenden relevanten Harmonisierungsvorschriften der Union
are in conformity with the following relevant Union harmonisation legislation Angewandte harmonisierte Normen
Applied harmonised standards

2011/65/EU Gefährliche Stoffe (RoHS)
Hazardous substances (RoHS)


EN IEC 63000:2018

Unterszeichnet für und im Namen von / *Signed for and on behalf of*

WIKA Alexander Wiegand SE & Co. KG

Klingenberg, 2021-11-25


Stefan Richter, General Management
CoE Force Measurement


Michael Kirsch, Head of Quality Management
CoE Force Measurement

WIKA Alexander Wiegand SE & Co. KG
Alexander-Wiegand-Straße 30
63911 Klingenberg
Germany
WEEE-Reg.-Nr. DE 92770372

Tel. +49 9372 132-0
Fax +49 9372 132-406
E-Mail info@wika.de
www.wika.de

Kommanditgesellschaft, Sitz Klingenberg –
Amtsgericht Aschaffenburg HRA 1819

Komplementärin:
WIKA International SE – Sitz Klingenberg –
Amtsgericht Aschaffenburg HRB 10505
Vorstand: Alexander Wiegand
Vorsitzender des Aufsichtsrats: Prof. Dr. Rodenich C. Thümmel
21AR-04210



WIKA subsidiaries worldwide can be found online at www.wika.com.
WIKA-Niederlassungen weltweit finden Sie online unter www.wika.de.



WIKAI Alexander Wiegand SE & Co. KG

Alexander-Wiegand-Straße 30

63911 Klingenberg • Germany

Tel. +49 9372 132-0

Fax +49 9372 132-406

info@wika.de

www.wika.de