

JUMO GmbH & Co. KG

Delivery address: Mackenrodtstraße 14,
36039 Fulda, Germany
Postal address: 36035 Fulda, Germany
Phone: +49 661 6003-0
Fax: +49 661 6003-607
E-mail: mail@jumo.net
Internet: www.jumo.net

JUMO Instrument Co. Ltd.

JUMO House
Temple Bank, Riverway
Harlow - Essex CM20 2DY, UK
Phone: +44 1279 63 55 33
Fax: +44 1279 63 52 62
E-mail: sales@jumo.co.uk
Internet: www.jumo.co.uk

JUMO Process Control, Inc.

8 Technology Boulevard
Canastota, NY 13032, USA
Phone: 315-697-JUMO
1-800-554-JUMO
Fax: 315-697-5867
E-mail: info@jumo.us
Internet: www.jumo.us



Push-in RTD temperature probes with bayonet lock

- for temperatures from -50 to +350°C
- with sheaths in different materials
- as single or twin RTD temperature probe
- good heat transfer through adjustable spring pressure
- insertion and removal without tools

Push-in RTD temperature probes with bayonet lock are preferred for measuring temperatures in solids, on bearings and moulding tools, for example in the plastics industry. Thanks to the special shape of the measuring tip, these temperature probes are suitable for use in flat-bottom and cone-shaped bores.

The rugged pressure spring is made from rust and acid resistant stainless steel, Mat. Ref. 1.4310, which also acts as a cable protector and ensures a uniform pressure between the measuring tip and the bottom of the hole. The fitting length can be altered by rotating the bayonet lock. Bayonet locks are available in the diameters 12, 15 and 16mm.

The sensor is normally a Pt100 temperature sensor to EN 60 751, Class B in 2-wire circuit, but versions with Pt500 or Pt1000 are also available. 3-wire and 4-wire connections can be provided.



Technical data

Connection**Connecting cable****Process connection****Sheath****Measuring insert****Accessories**

cable ends available as: bare wires, with ferrules, receptacle or multipole connector
silicone, ambient temperature -50 to +180°C
PTFE, ambient temperature -190 to +260°C
metal braiding, ambient temperature -50 to +350°C
connecting cable available with shielding (option)
bayonet lock, nickel-plated brass, 12mm, 15mm or 16mm dia.
stainless steel 1.4571, 6mm and 8mm dia.
Pt100 temperature sensor, EN 60 751, Cl. B, 2-wire circuit
bayonet sockets, Data Sheet 90.9725

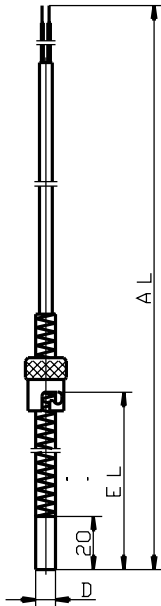
JUMO GmbH & Co. KG
 Delivery address: Mackenrodtstraße 14,
 36039 Fulda, Germany
 Postal address: 36035 Fulda, Germany
 Phone: +49 661 6003-0
 Fax: +49 661 6003-607
 E-mail: mail@jumo.net
 Internet: www.jumo.net

JUMO Instrument Co. Ltd.
 JUMO House
 Temple Bank, Riverway
 Harlow - Essex CM20 2DY, UK
 Phone: +44 1279 63 55 33
 Fax: +44 1279 63 52 62
 E-mail: sales@jumo.co.uk
 Internet: www.jumo.co.uk

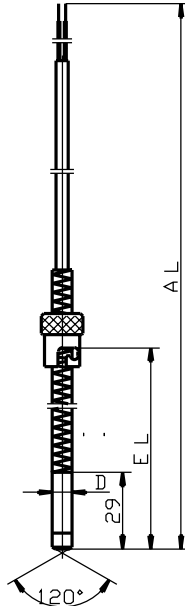
JUMO Process Control, Inc.
 8 Technology Boulevard
 Canastota, NY 13032, USA
 Phone: 315-697-JUMO
 1-800-554-JUMO
 Fax: 315-697-5867
 E-mail: info@jumo.us
 Internet: www.jumo.us



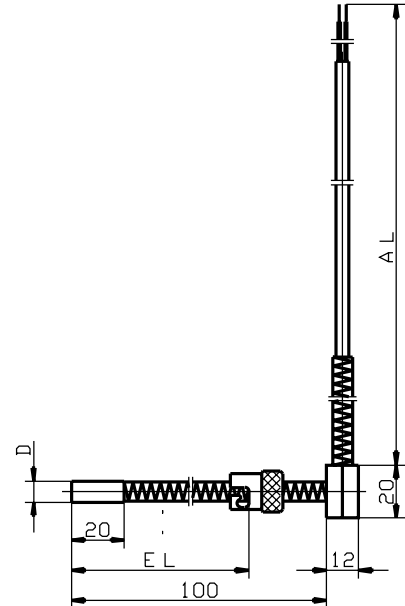
Dimensions



Type 902190/10



Type 902190/20



Type 902190/30

JUMO GmbH & Co. KG
 Delivery address: Mackenrodtstraße 14,
 36039 Fulda, Germany
 Postal address: 36035 Fulda, Germany
 Phone: +49 661 6003-0
 Fax: +49 661 6003-607
 E-mail: mail@jumo.net
 Internet: www.jumo.net

JUMO Instrument Co. Ltd.
 JUMO House
 Temple Bank, Riverway
 Harlow - Essex CM20 2DY, UK
 Phone: +44 1279 63 55 33
 Fax: +44 1279 63 52 62
 E-mail: sales@jumo.co.uk
 Internet: www.jumo.co.uk

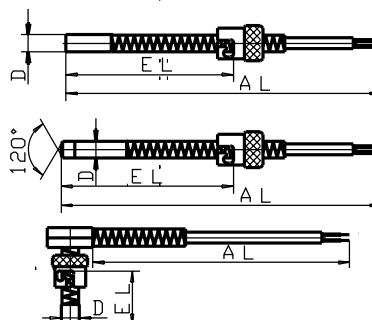
JUMO Process Control, Inc.
 8 Technology Boulevard
 Canastota, NY 13032, USA
 Phone: 315-697-JUMO
 1-800-554-JUMO
 Fax: 315-697-5867
 E-mail: info@jumo.us
 Internet: www.jumo.us



Order details: Push-in RTD temperature probes with bayonet lock

(1) Basic version

| | |
|-----------|--|
| 902190/10 | Push-in RTD temperature probe, sheath / measuring tip (flat-bottom) in stainless steel, Mat. Ref. 1.4571; bayonet lock: 12mm dia. |
| 902190/20 | Push-in RTD temperature probe, sheath in stainless steel, Mat. Ref. 1.4571, measuring tip (120°) ceramic, KER 221; bayonet lock: 12mm dia. |
| 902190/30 | Push-in RTD temperature probe, sheath / measuring tip (flat-bottom) in stainless steel, Mat. Ref. 1.4571; bayonet lock: 12mm dia. |



(2) Operating temperature in °C / connecting cable

| | | |
|-------|-----|------------------------------|
| x x x | 380 | -50 to +200°C/silicone |
| x x x | 386 | -50 to +260°C/PTFE |
| x x x | 388 | -50 to +260°C/metal braiding |
| x x x | 397 | -50 to +350°C/metal braiding |

(3) Measuring insert

| | | |
|-------|------|-----------------------------|
| x x x | 1001 | 1 x Pt100 in 3-wire circuit |
| x x x | 1003 | 1 x Pt100 in 2-wire circuit |
| x x x | 2003 | 2 x Pt100 in 2-wire circuit |

(4) Tolerance class to EN 60 751

| | | |
|-------|---|--------------------|
| x x x | 1 | Class B (standard) |
| x x x | 2 | Class A |

(5) Sheath diameter D in mm

| | | |
|-----|---|-----|
| x x | 6 | 6mm |
| x | 8 | 8mm |

(6) Fitting length EL in mm

| | | |
|---|-----|------------|
| x | 85 | 20 - 85mm |
| x | 175 | 20 - 175mm |
| x | 185 | 29 - 185mm |

(7) Connecting cable end

| | | |
|-------|----|---|
| x x x | 03 | bare cable ends |
| x x x | 11 | ferrules to DIN 46 228 Part 4 (standard) |
| x x x | 13 | receptacle 6.3 to DIN 46 247 |
| x x x | 80 | multipole connector (please specify type in plain text) |

(8) Connecting cable length AL in mm (500 ≤ AL ≤ 500000)

| | | |
|-------|------|--|
| x x x | 2500 | 2500mm |
| x x x | ... | please specify in plain text (500mm steps) |

(9) Extra codes

| | | |
|-------|-----|---------------------------|
| x x x | 000 | no extra code |
| x x x | 302 | bayonet lock 15mm dia. |
| x x x | 303 | bayonet lock 16mm dia. |
| x x x | 317 | shielded connecting cable |

| | | | | | | | | | | | | | | | | | |
|----------------------|-----------|-----|-----|-----|------|-----|-----|-----|-----|-----|-----|---|----|---|------|---|------------------|
| Order code | (1) | (2) | (3) | (4) | (5) | (6) | (7) | (8) | (9) | ... | | | | | | | |
| Order example | 902190/10 | - | 397 | - | 1003 | - | 1 | - | 8 | - | 175 | - | 11 | - | 2500 | / | 000 ¹ |

Note: Bayonet sockets, Data Sheet 90.9725

Stock versions

| (1) | (2) | (3) | (4) | (5) | (6) | (7) | (8) | (9) | Sales No. | | | | | | | | |
|-----------|-----|-----|-----|------|-----|-----|-----|-----|-----------|-----|---|----|---|------|---|-----|-------------|
| 902190/10 | - | 397 | - | 1003 | - | 1 | - | 8 | - | 175 | - | 11 | - | 2500 | / | 317 | 90/00055797 |
| 902190/10 | - | 388 | - | 1003 | - | 1 | - | 6 | - | 175 | - | 11 | - | 2500 | / | 317 | 90/00055798 |
| 902190/20 | - | 388 | - | 1003 | - | 1 | - | 6 | - | 185 | - | 13 | - | 2500 | / | 317 | 90/00055808 |

¹ List extra codes in sequence, separated by commas.