

# D6004

## SIL3 Pass-Through Module

The Pass-Through D6004 module puts into direct connection the system with the field for a flexible marshalling. It is suitable for applications requiring SIL 3 level in safety related systems for high risk industries. It also provides over-voltage and over-current protections and it supplies 3/4-wire transmitters through the power supply of the Termination Board.

### FEATURES

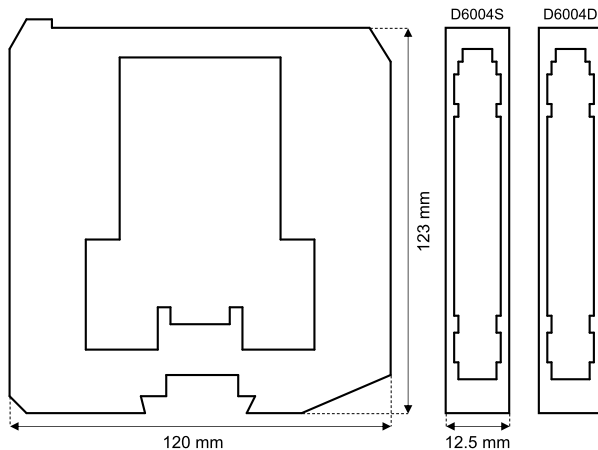
- SIL 3 / SC 3
- Installation in Zone 2
- Installation in Div. 2
- Suitable for 2/3/4-wire transmitters
- High Density, two channels per unit

### ORDERING INFORMATION

#### Ordering codes

D6004S: 1 channel  
D6004D: 2 channels

### OVERALL DIMENSIONS



### TECHNICAL DATA

#### Supply

24 Vdc nom (20 to 30 Vdc), from Termination Board.

**Current rating:** 0.5 A (resettable fuse protected), with linear derating down to 0.4 A, from 25 to 70 °C.

**Max power dissipation:** 160 mW @ 400 mA.

#### Input/Output

**Voltage rating:** 30 V.

**Current rating:** 0.1 A (resettable fuse protected), with linear derating down to 0.05 A, from 25 to 70 °C.

**Max power dissipation:** 8.6 mW/17.2 mW (D6004S/D6004D) @ 24 mA, 37.5 mW/75 mW (D6004S/D6004D) @ 50 mA.

#### Environmental conditions

**Operating temperature:** temperature limits -40 to +70 °C.

**Storage temperature:** temperature limits -45 to +80 °C.

#### Mounting

On custom Term. Board.

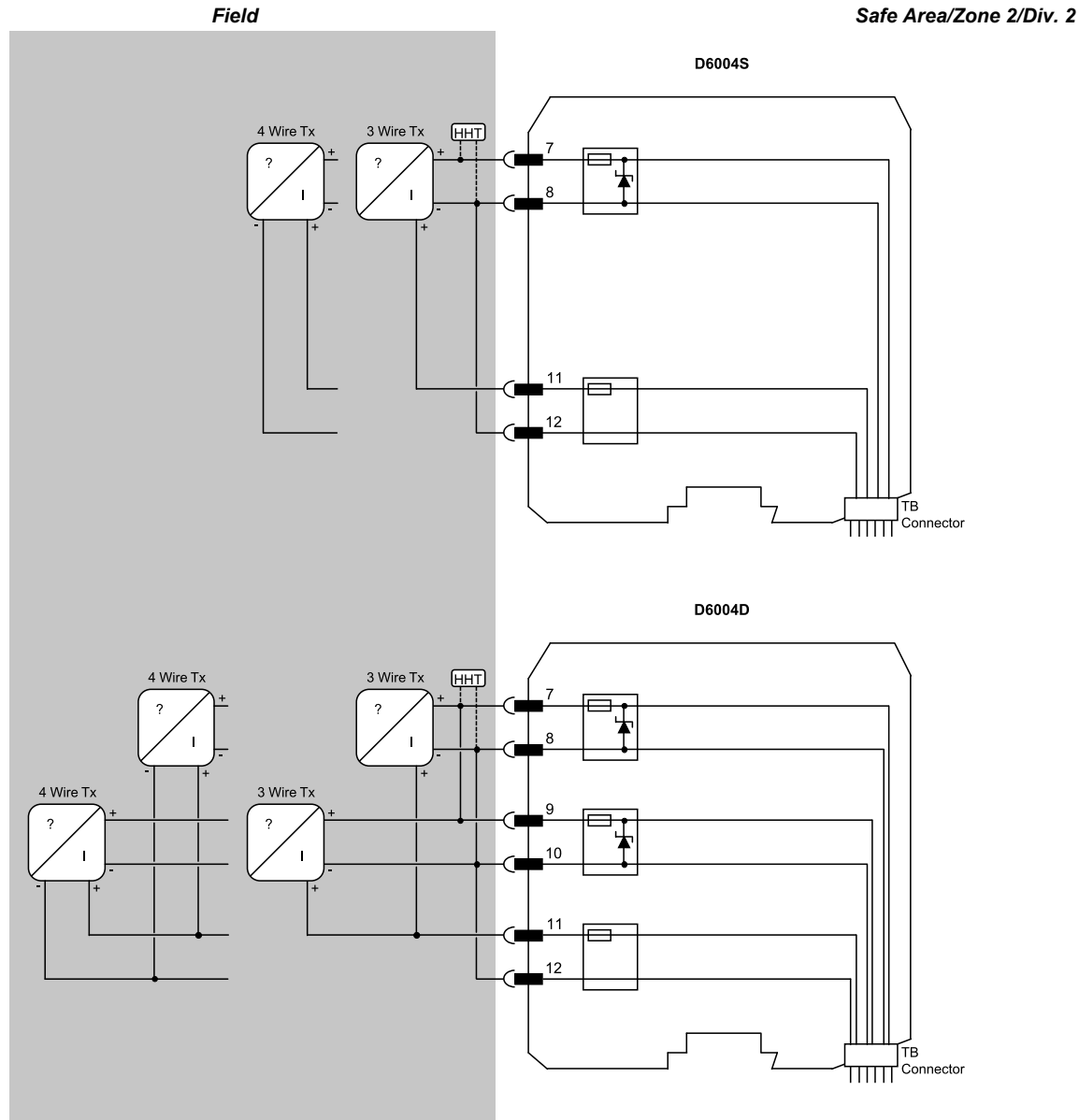
**Weight:** about 100 g.

**Connection:** by polarized plug-in disconnect screw terminal blocks to accommodate terminations up to 2.5 mm<sup>2</sup> (13 AWG).

**Dimensions:** Width 12.5 mm, Depth 123 mm, Height 120 mm.

# FUNCTION DIAGRAM

Additional installation diagrams may be found in Instruction Manual.



Functional Safety Management Certification: GM International is certified to conform to IEC61508:2010 part 1 clauses 5-6 for safety related systems up to and included SIL3. In addition, GM International products have been granted I.S. certificates from the most credited Notified Bodies in the world.

Data specified in this document are merely descriptive of the products and should be integrated with relevant technical specifications. Our products are in constant development and the information presented herein refers to the time of document issue. No statements concerning a certain condition or suitability for a certain application can be derived from our information. The information given does not release the user from the obligation of own judgment and verification. Terms & Conditions can be found at our website. For more information refer to instruction manual.