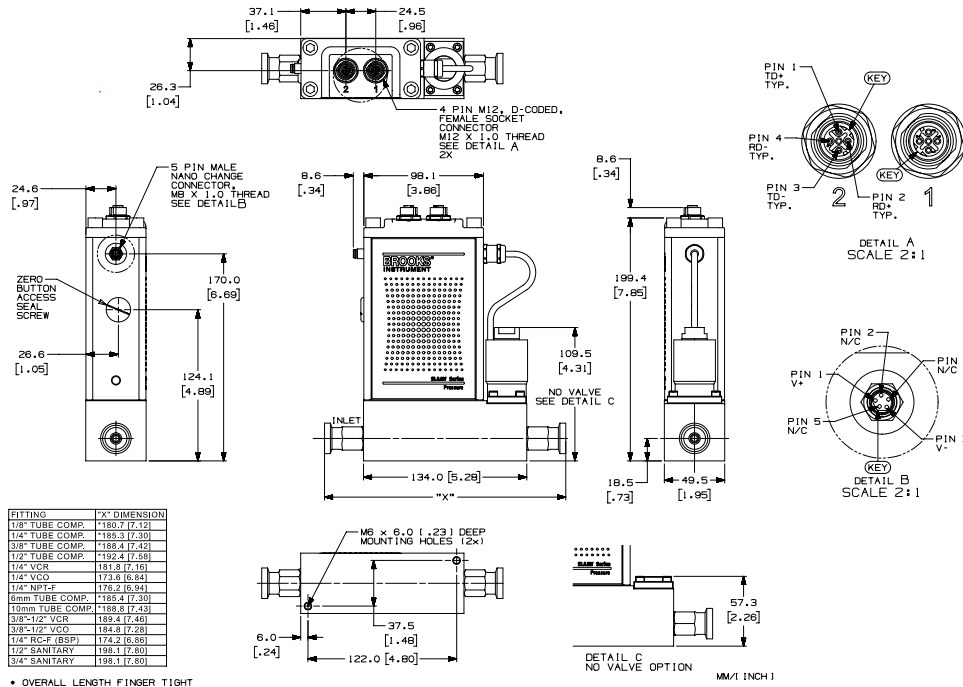
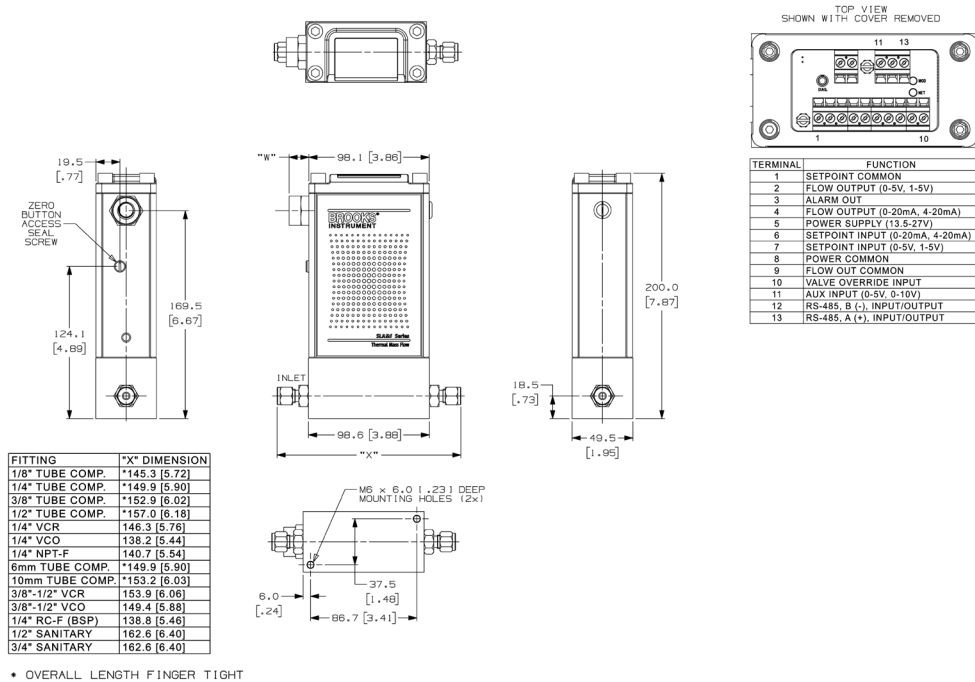


## SLAMf50, EtherNet/IP & PROFINET



SLAMf50031B

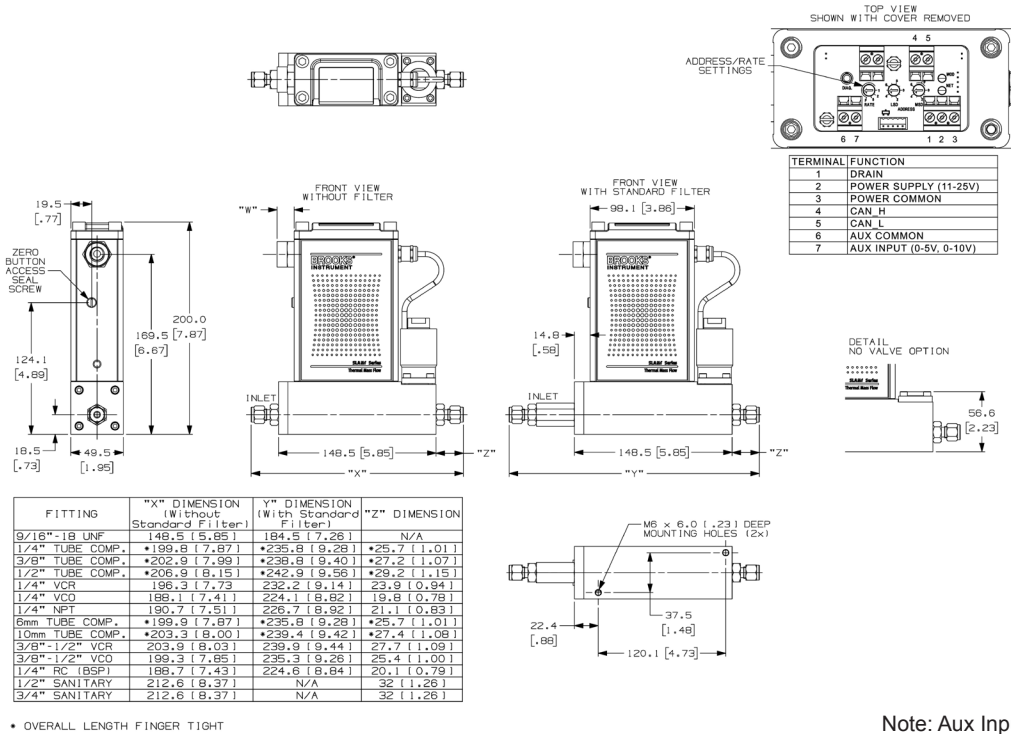
## SLAMf60, Analog/RS485



SLAMf60031B

## SLAMf51, DeviceNet

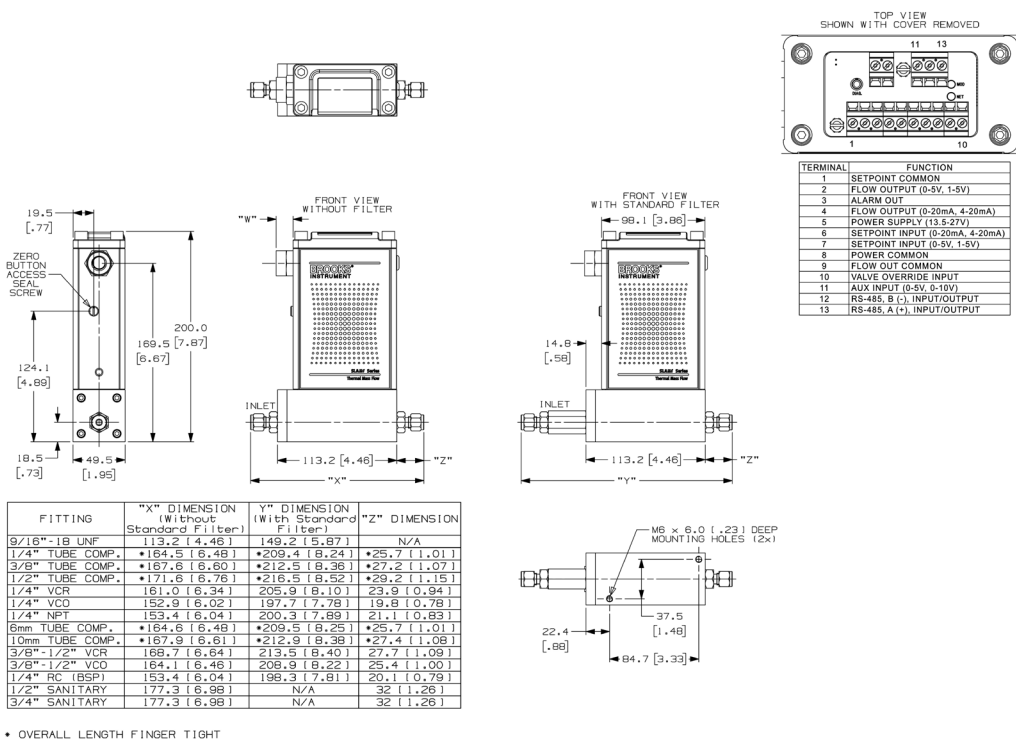
www.brooks-instrument.com



SLAMf51033B

Note: Aux Input is used for Remote Transducer Pressure Controllers only.

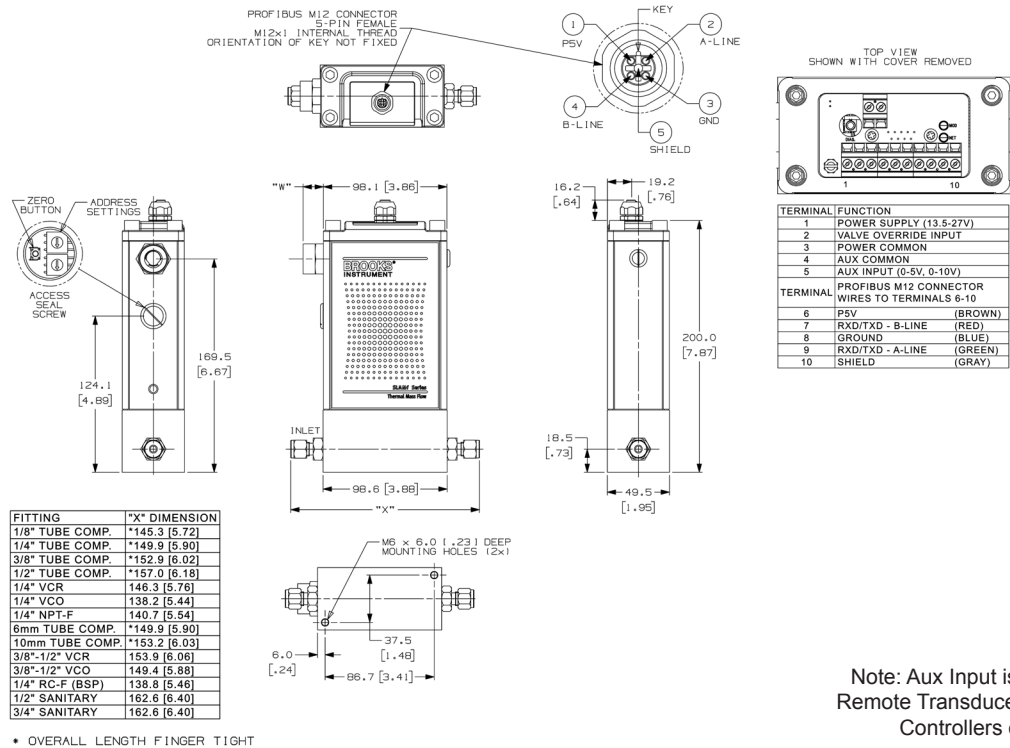
## SLAMf61, Analog/RS485



SLAMf51031C

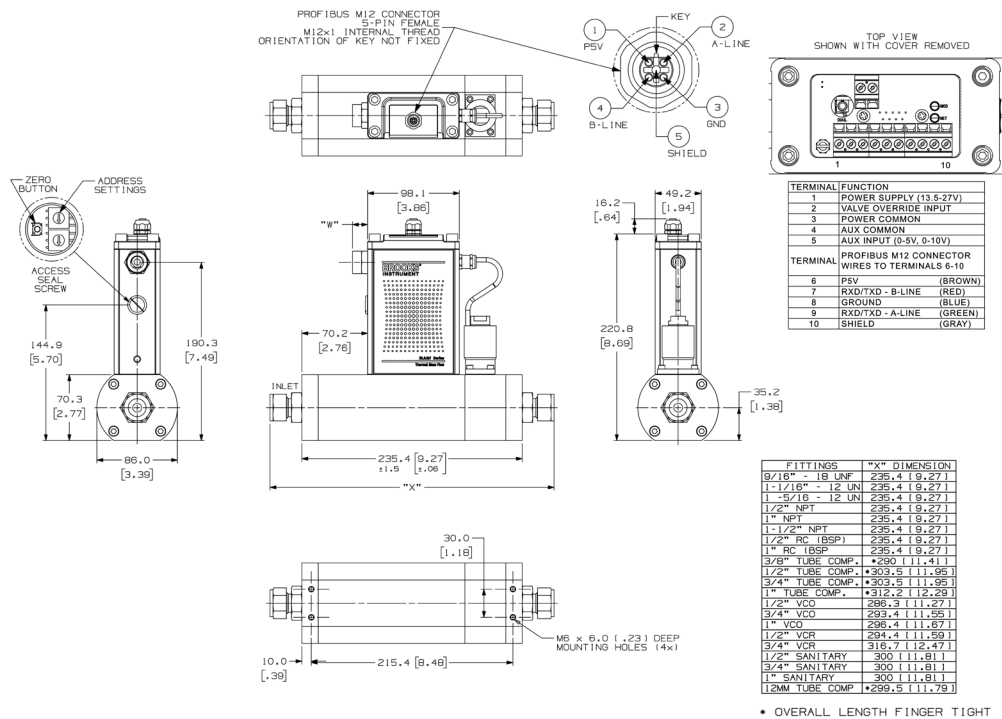
Note: Aux Input is used for Remote Transducer Pressure Controllers only.

## SLAMf60, Profibus



SLAMf60032C

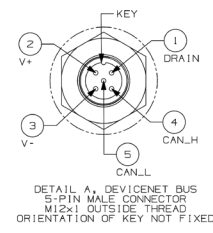
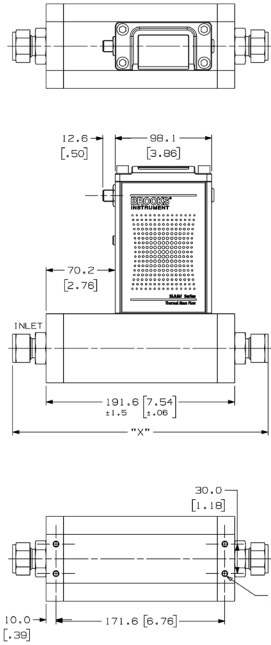
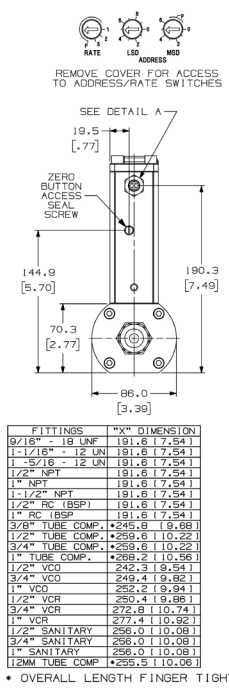
## SLAMf53, Profibus



SLAMf53032D

Note: Aux Input is used for Remote Transducer Pressure Controllers only.

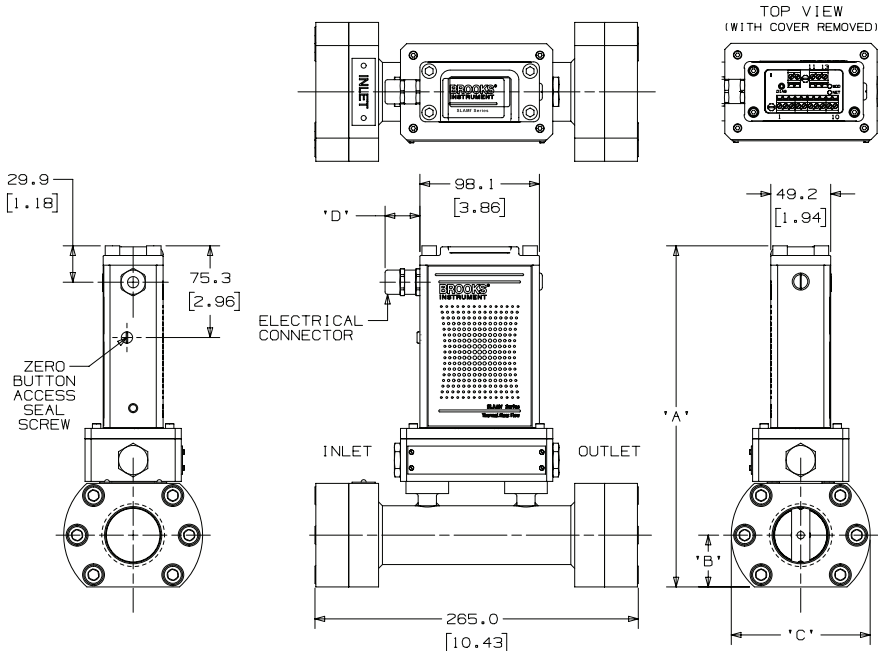
## SLAMf63, DeviceNet



SLAMf63034C

Note: Aux Input is used for Remote Transducer Pressure Controllers only.

## SLAMf64, 1-1/2" or 2" FNPT, RS485



TERMINAL	FUNCTION
1	SETPOINT COMMON
2	FLOW OUTPUT (0-5V, 1-5V)
3	ALARM OUT
4	FLOW OUTPUT (0-20mA, 4-20mA)
5	POWER SUPPLY (13.5-27V)
6	SETPOINT INPUT (0-20mA, 4-20mA)
7	SETPOINT INPUT (0-5V, 1-5V)
8	POWER COMMON
9	FLOW OUT COMMON
10	VALVE OVERRIDE INPUT
11	AUX INPUT (0-5V, 0-10V)
12	RS-485, B (-), INPUT/OUTPUT
13	RS-485, A (+), INPUT/OUTPUT

MECHANICAL CONN.	'A' DIMENSION	'B' DIMENSION	'C' DIMENSION
1-1/2" FNPT	280 (11.02)	42.5 (1.67)	114.0 (4.49)
2" FNPT	290 (11.42)	47.5 (1.87)	124.0 (4.88)

MM  
[ INCH ]

Note: Aux Input is used for Remote Transducer Pressure Controllers only.

See Instruction Manual for additional configurations.