

**JUMO GmbH & Co. KG**  
Delivery address: Mackenrodtstraße 14  
36039 Fulda, Germany  
Postal address: 36035 Fulda, Germany  
Phone: +49 661 6003-0  
Fax: +49 661 6003-607  
Email: mail@jumo.net  
Internet: www.jumo.net

**JUMO UK LTD**  
JUMO House  
Temple Bank, Riverway  
Harlow, Essex, CM20 2DY, UK  
Phone: +44 1279 63 55 33  
Fax: +44 1279 62 50 29  
Email: sales@jumo.co.uk  
Internet: www.jumo.co.uk

**JUMO Process Control, Inc.**  
6724 Joy Road  
East Syracuse, NY 13057, USA  
Phone: +1 315 437 5866  
Fax: +1 315 437 5860  
Email: info.us@jumo.net  
Internet: www.jumousa.com



# JUMO dTRANS p33

## Pressure Transmitter or Level Probe for use in hazardous areas

### Description

The pressure transmitter measures the pressure in both corrosive and non-corrosive gases, vapors, liquids and dusts. It operates on the piezoresistive measuring principle. The output signal is a DC current that is proportional to the input pressure.

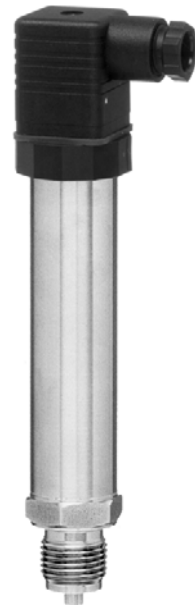
The pressure transmitter fulfills the following requirements for equipment group II:

- In zone 1 and 2 areas with an explosion hazard arising from gas (**G**as).  
The pressure connection (process connection) may, however, also be mounted on to zone 0.
- In zone 21 and 22 areas with an explosion hazard arising from dust (**D**ust).  
The pressure connection (process connection) may, however, also be mounted on to zone 20.

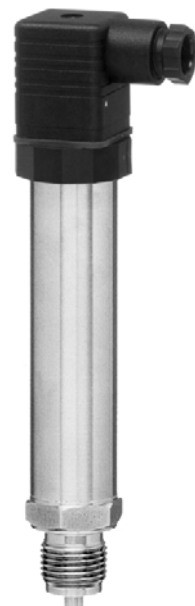
The pressure transmitter can also be used as a level probe.

- Explosion group II, category 2G with extra code 406
- Explosion group II, category 1G with extra code 407

The device is certified according to EHEDG in the versions with process connections (clamp) DN 25, 32, 40 and 50 as well as VARIVENT.



Type 404753/000-xxx-405-504-20-61-1/000



Type 404753/000-xxx-405-504-20-61-1/000

**JUMO GmbH & Co. KG**  
 Delivery address: Mackenrodtstraße 14  
 36039 Fulda, Germany  
 Postal address: 36035 Fulda, Germany  
 Phone: +49 661 6003-0  
 Fax: +49 661 6003-607  
 Email: mail@jumo.net  
 Internet: www.jumo.net

**JUMO UK LTD**  
 JUMO House  
 Temple Bank, Riverway  
 Harlow, Essex, CM20 2DY, UK  
 Phone: +44 1279 63 55 33  
 Fax: +44 1279 62 50 29  
 Email: sales@jumo.co.uk  
 Internet: www.jumo.co.uk

**JUMO Process Control, Inc.**  
 6724 Joy Road  
 East Syracuse, NY 13057, USA  
 Phone: +1 315 437 5866  
 Fax: +1 315 437 5860  
 Email: info.us@jumo.net  
 Internet: www.jumousa.com



## Approvals

	Designation Testing agency Certificate no. Inspection basis Mark  Valid for	ATEX Eurofins Electric & Electronic Product Testing AG SEV 09 ATEX 0140 X EN IEC 60079-0:2018, EN 60079-11:2012, EN 60079-26:2015 II 1/2G Ex ia IIC T6...T4 Ga/Gb (without extra code 406 and 407), II 1/2D Ex ia IIIC T60 °C...T100 °C Da/Db (without extra code 406 and 407), II 2G Ex ia IIC T6...T4 Gb (with extra code 406), II 1G Ex ia IIB T6...T4 Ga (with extra code 407) Type 404753
	Designation Testing agency Certificate no. Inspection basis Mark  Valid for	UKEX Bureau Veritas EPS 22 UKEX 1 371 X EN IEC 60079-0:2018, EN 60079-11:2012, EN 60079-26:2015 II 1/2G Ex ia IIC T6...T4 Ga/Gb (without extra code 406 and 407), II 1/2D Ex ia IIIC T60 °C...T100 °C Da/Db (without extra code 406 and 407), II 2G Ex ia IIC T6...T4 Gb (with extra code 406), II 1G Ex ia IIB T6...T4 Ga (with extra code 407) Type 404753
	Designation Testing agency Certificate no. Inspection basis Valid for	EACEX ПрофиТест/ProfiTest RU C-DE.HB07.B.00659/22 TP TC 012/2011 Type 404753 with extra code 240
	Designation Testing agency Certificate no. Inspection basis  Valid for	EHEDG Research Center Weihenstephan for Brewing and Food Quality EL Class 1/EHEDG-C2000058 EHEDG design specifications (Doc. 8 – Hygienic Design Principles) EHEDG tests for verifying ease of cleaning (Doc. 2, Third Edition, July 2004, updated June 2007) Process connection 613 Clamping socket DN 25, DN 32, DN 40, with Tri-Clamp seal Combifit International B.V. Process connection 616 Clamping socket DN 50, with Tri-Clamp seal Combifit International B.V. Process connection 685 VARIVENT, type F, DN 32/25, with EPDM O-ring

Observe "Special conditions for safe use" in hazardous areas.

Certificates for approved device versions are available for download on the manufacturer's website.

**JUMO GmbH & Co. KG**  
 Delivery address: Mackenrodtstraße 14  
 36039 Fulda, Germany  
 Postal address: 36035 Fulda, Germany  
 Phone: +49 661 6003-0  
 Fax: +49 661 6003-607  
 Email: mail@jumo.net  
 Internet: www.jumo.net

**JUMO UK LTD**  
 JUMO House  
 Temple Bank, Riverway  
 Harlow, Essex, CM20 2DY, UK  
 Phone: +44 1279 63 55 33  
 Fax: +44 1279 62 50 29  
 Email: sales@jumo.co.uk  
 Internet: www.jumo.co.uk

**JUMO Process Control, Inc.**  
 6724 Joy Road  
 East Syracuse, NY 13057, USA  
 Phone: +1 315 437 5866  
 Fax: +1 315 437 5860  
 Email: info.us@jumo.net  
 Internet: www.jumousa.com



## Technical data

### General Information

Reference conditions	DIN 16086 and DIN IEC 770/5.3
Rated position	Any

### Input

Ambient temperature influence for measuring range 0.25 and 0.4 bar	
Zero point	≤ 0.03 %/K typical, ≤ 0.05 %/K max.
Measuring span (MSP)	≤ 0.02 %/K typical, ≤ 0.04 %/K max.
For measuring ranges from 0.6 bar	
Zero point	≤ 0.02 %/K typical, ≤ 0.04 %/K max.
Measuring span	≤ 0.02 %/K typical, ≤ 0.04 %/K max.
Deviation from characteristic line	≤ 0.5 % MSP (limit point setting)
Hysteresis	≤ 0.1 % MSP
Stability per year	≤ 0.5 % MSP
Zero signal offset	≤ 0.3 % MSP
Thermic hysteresis	
For measuring ranges ≤ 0.6 bar	≤ ±1 % MSP
For measuring ranges > 0.6 bar	≤ ±0.5 % MSP
Overload limit	
For measuring ranges < 100bar	4 times the measuring range end value
For measuring ranges ≥ 100 bar	2 times the measuring range end value
Burst pressure	10 times the measuring range end value, 2000 bar max.

### Electrical data

Voltage supply	
Current	4 to 20 mA, two-wire
Voltage	DC 11 to 28 V (from intrinsically safe circuit) <sup>a</sup> $U_{max} \leq 28 \text{ V}$ $I_{Kmax} \leq 120 \text{ mA}$ Residual ripple: The voltage peaks must not go above or below the limits specified for the voltage supply.
Voltage supply influence	≤ 0.03 %/V
Max. current consumption	≤ 45 mA (at DC 24 V)

<sup>a</sup> Intrinsically safe circuit in conjunction with Ex-i Power supply/input isolating amplifier, type 707530

**JUMO GmbH & Co. KG**  
 Delivery address: Mackenrodtstraße 14  
 36039 Fulda, Germany  
 Postal address: 36035 Fulda, Germany  
 Phone: +49 661 6003-0  
 Fax: +49 661 6003-607  
 Email: mail@jumo.net  
 Internet: www.jumo.net

**JUMO UK LTD**  
 JUMO House  
 Temple Bank, Riverway  
 Harlow, Essex, CM20 2DY, UK  
 Phone: +44 1279 63 55 33  
 Fax: +44 1279 62 50 29  
 Email: sales@jumo.co.uk  
 Internet: www.jumo.co.uk

**JUMO Process Control, Inc.**  
 6724 Joy Road  
 East Syracuse, NY 13057, USA  
 Phone: +1 315 437 5866  
 Fax: +1 315 437 5860  
 Email: info.us@jumo.net  
 Internet: www.jumousa.com



## Environmental influences

Ambient temperature	-40 to +85 °C
Medium temperature	
Standard	-40 to +85 °C
For type 404753/004	-40 to +200 °C <sup>a</sup>
With extra code 406	-40 to +70 °C
With extra code 407	-40 to +70 °C
Storage temperature	-40 to +85 °C
Vibration resistance	DIN IEC 68-2-6, DIN IEC 68-2-27
Mechanical vibration	Max. 10 g at 15 to 2000 Hz
Mechanical shock	100 g for 1 ms
Protection type	DIN EN 60529
With connector screwed on	IP65
With extra code 406	IP68
With extra code 407	IP68
Electromagnetic compatibility (EC)	DIN EN 61326-1:2013, DIN EN 61326-2-3:2013
Interference emission	Class B <sup>b</sup>
Interference immunity	Industrial requirements

<sup>a</sup> For temperature specifications, see process connections front-flush.

<sup>b</sup> The product is suitable for industrial use as well as for households and small businesses.

## Mechanical features

Material	
Housing	Stainless steel 304
Parts in contact with medium	
Standard	Stainless steel 316 L, 316 Ti
For range ≥ 60 bar	Stainless steel 316 Ti, 630
With extra code 406	Cable material PE (polyethylene), standard
Weight	350 g with process connection G 1/2

**JUMO GmbH & Co. KG**  
 Delivery address: Mackenrodtstraße 14  
 36039 Fulda, Germany  
 Postal address: 36035 Fulda, Germany  
 Phone: +49 661 6003-0  
 Fax: +49 661 6003-607  
 Email: mail@jumo.net  
 Internet: www.jumo.net

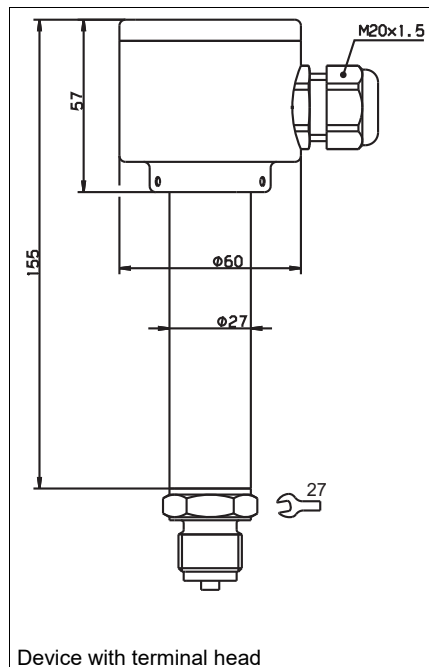
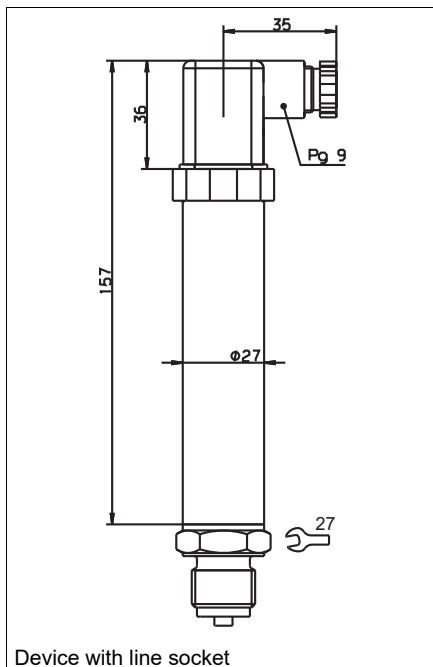
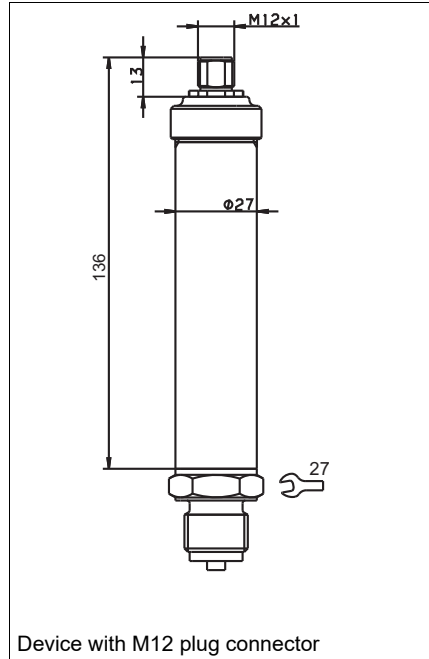
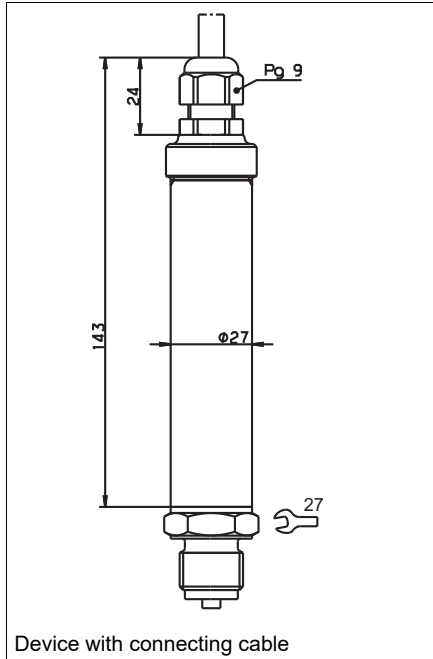
**JUMO UK LTD**  
 JUMO House  
 Temple Bank, Riverway  
 Harlow, Essex, CM20 2DY, UK  
 Phone: +44 1279 63 55 33  
 Fax: +44 1279 62 50 29  
 Email: sales@jumo.co.uk  
 Internet: www.jumo.co.uk

**JUMO Process Control, Inc.**  
 6724 Joy Road  
 East Syracuse, NY 13057, USA  
 Phone: +1 315 437 5866  
 Fax: +1 315 437 5860  
 Email: info.us@jumo.net  
 Internet: www.jumousa.com



## Dimensions

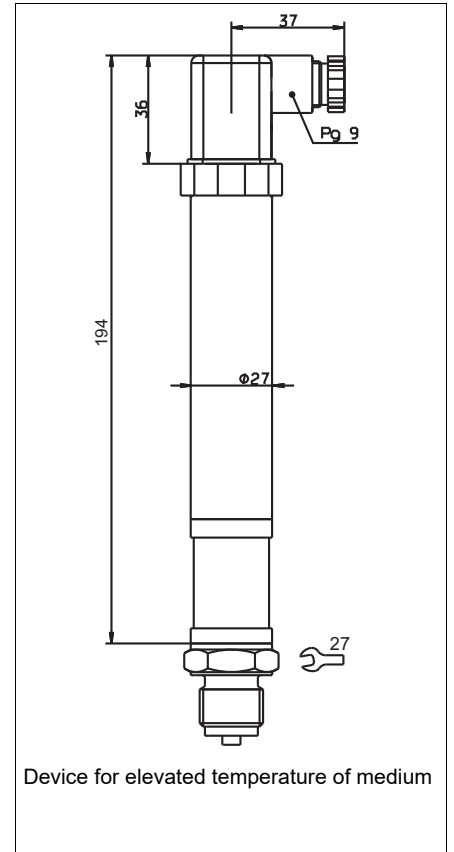
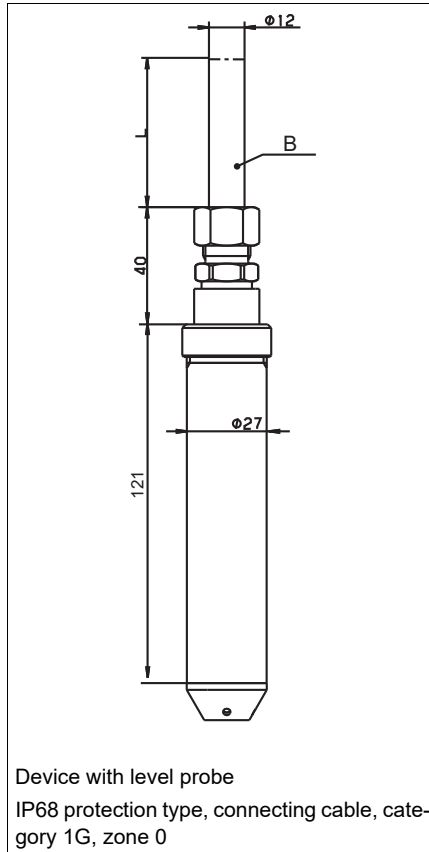
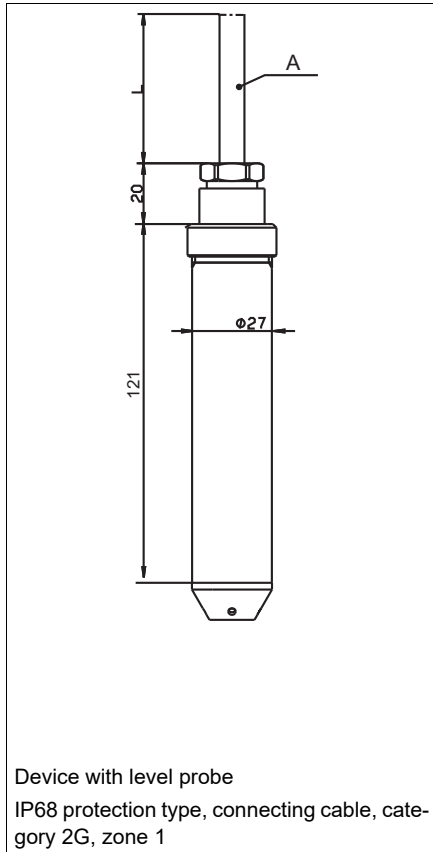
### Device



**JUMO GmbH & Co. KG**  
 Delivery address: Mackenrodtstraße 14  
 36039 Fulda, Germany  
 Postal address: 36035 Fulda, Germany  
 Phone: +49 661 6003-0  
 Fax: +49 661 6003-607  
 Email: mail@jumo.net  
 Internet: www.jumo.net

**JUMO UK LTD**  
 JUMO House  
 Temple Bank, Riverway  
 Harlow, Essex, CM20 2DY, UK  
 Phone: +44 1279 63 55 33  
 Fax: +44 1279 62 50 29  
 Email: sales@jumo.co.uk  
 Internet: www.jumo.co.uk

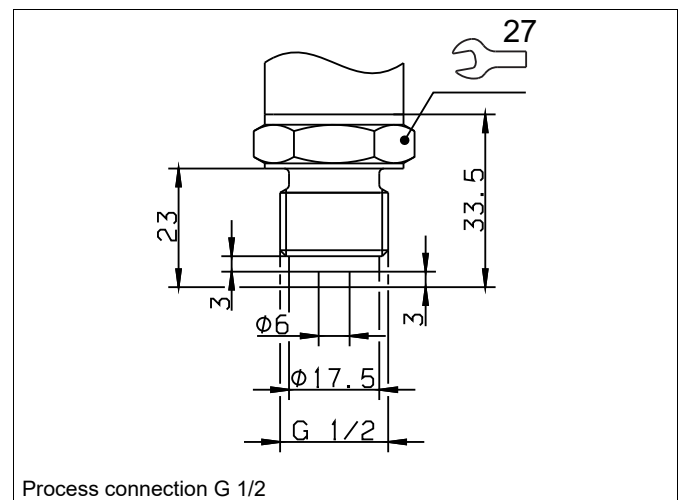
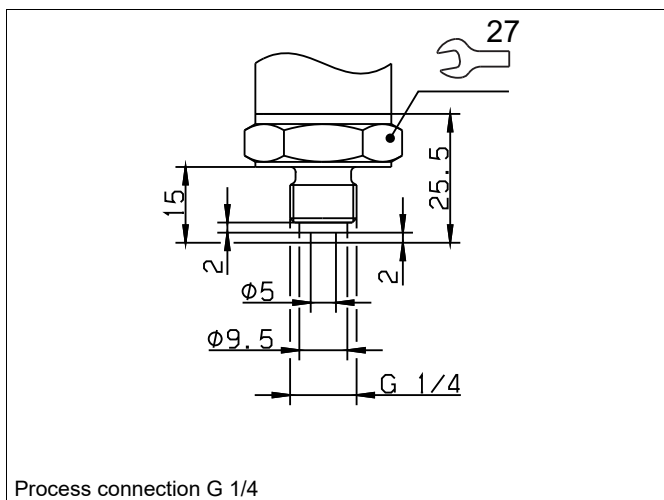
**JUMO Process Control, Inc.**  
 6724 Joy Road  
 East Syracuse, NY 13057, USA  
 Phone: +1 315 437 5866  
 Fax: +1 315 437 5860  
 Email: info.us@jumo.net  
 Internet: www.jumousa.com



- A Attached connecting cable
- B Customer-supplied protection tube, see Operating Instructions

**Process connections**

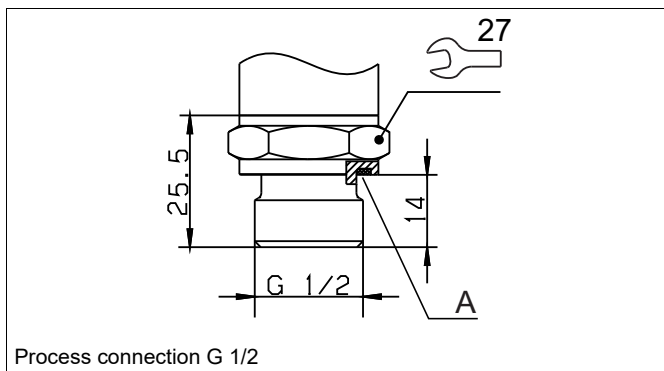
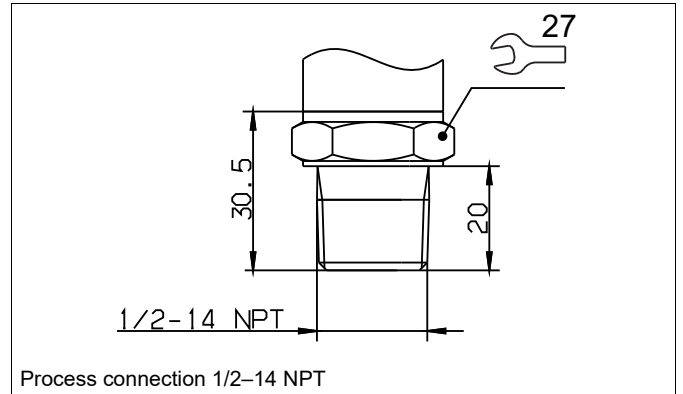
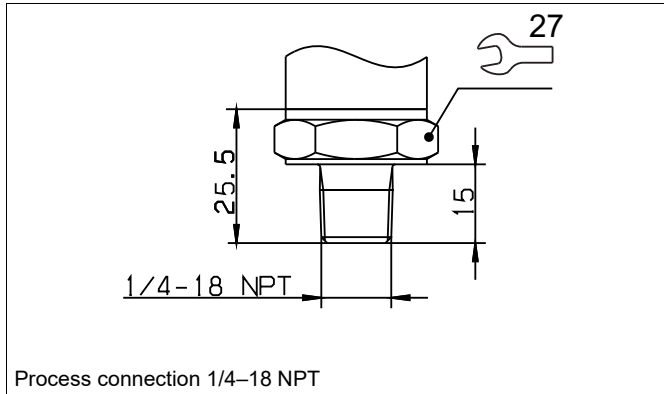
**Not front-flush**



**JUMO GmbH & Co. KG**  
 Delivery address: Mackenrodtstraße 14  
 36039 Fulda, Germany  
 Postal address: 36035 Fulda, Germany  
 Phone: +49 661 6003-0  
 Fax: +49 661 6003-607  
 Email: mail@jumo.net  
 Internet: www.jumo.net

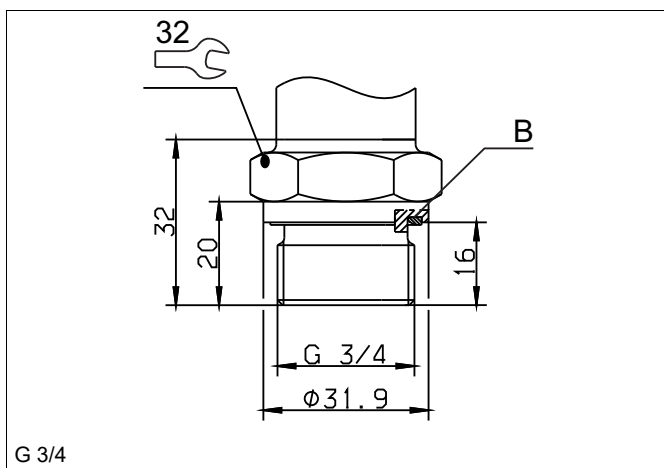
**JUMO UK LTD**  
 JUMO House  
 Temple Bank, Riverway  
 Harlow, Essex, CM20 2DY, UK  
 Phone: +44 1279 63 55 33  
 Fax: +44 1279 62 50 29  
 Email: sales@jumo.co.uk  
 Internet: www.jumo.co.uk

**JUMO Process Control, Inc.**  
 6724 Joy Road  
 East Syracuse, NY 13057, USA  
 Phone: +1 315 437 5866  
 Fax: +1 315 437 5860  
 Email: info.us@jumo.net  
 Internet: www.jumousa.com

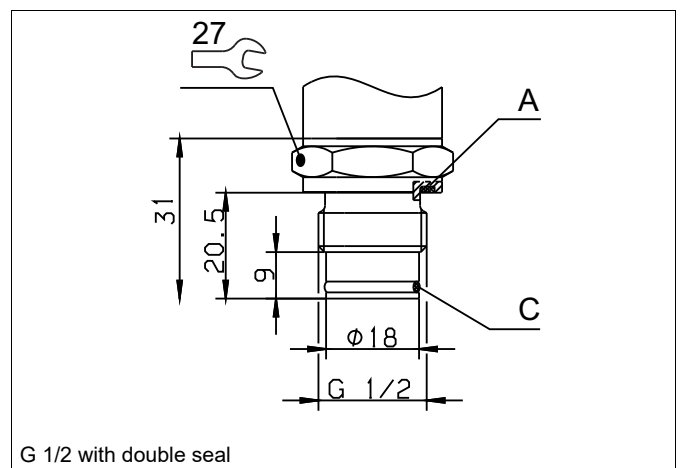


A Profile seal ring DN G 1/2

**Front-flush**



B Profile seal DN G 3/4



A Profile seal DN G 1/2

C O-ring 14 × 1.78

**JUMO GmbH & Co. KG**

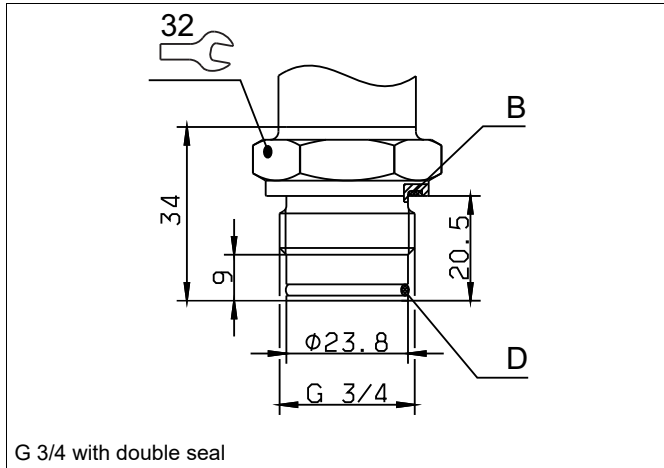
Delivery address: Mackenrodtstraße 14  
36039 Fulda, Germany  
Postal address: 36035 Fulda, Germany  
Phone: +49 661 6003-0  
Fax: +49 661 6003-607  
Email: mail@jumo.net  
Internet: www.jumo.net

**JUMO UK LTD**

JUMO House  
Temple Bank, Riverway  
Harlow, Essex, CM20 2DY, UK  
Phone: +44 1279 63 55 33  
Fax: +44 1279 62 50 29  
Email: sales@jumo.co.uk  
Internet: www.jumo.co.uk

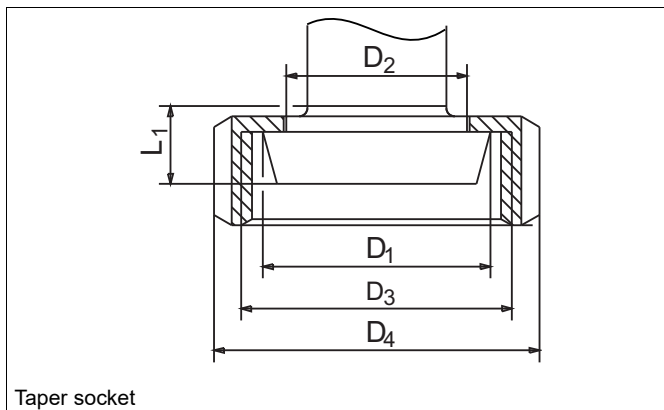
**JUMO Process Control, Inc.**

6724 Joy Road  
East Syracuse, NY 13057, USA  
Phone: +1 315 437 5866  
Fax: +1 315 437 5860  
Email: info.us@jumo.net  
Internet: www.jumousa.com

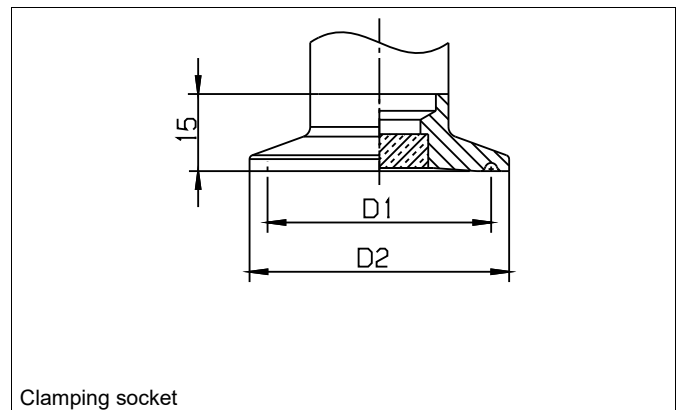


G 3/4 with double seal

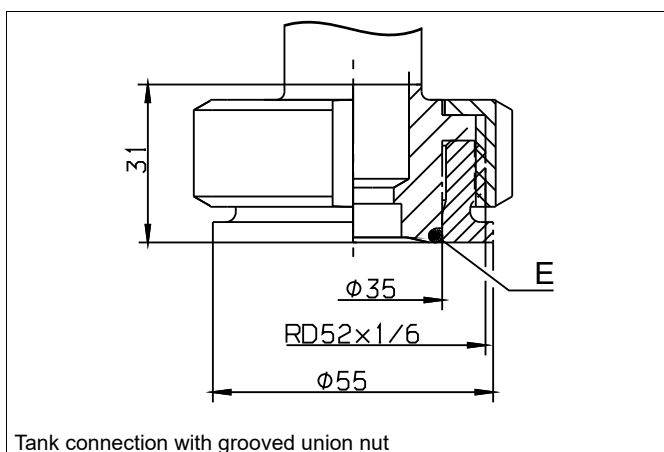
- B Profile seal DN G 3/4
- D O-ring 20.35 × 1.78



Taper socket

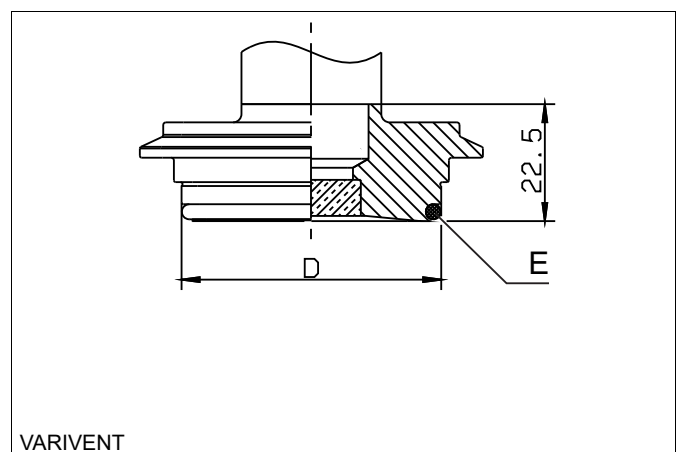


Clamping socket



Tank connection with grooved union nut

- E O-ring 29.82 × 2.62



VARIVENT

- D O-ring 44 × 2.5



**JUMO GmbH & Co. KG**  
 Delivery address: Mackenrodtstraße 14  
 36039 Fulda, Germany  
 Postal address: 36035 Fulda, Germany  
 Phone: +49 661 6003-0  
 Fax: +49 661 6003-607  
 Email: mail@jumo.net  
 Internet: www.jumo.net

**JUMO UK LTD**  
 JUMO House  
 Temple Bank, Riverway  
 Harlow, Essex, CM20 2DY, UK  
 Phone: +44 1279 63 55 33  
 Fax: +44 1279 62 50 29  
 Email: sales@jumo.co.uk  
 Internet: www.jumo.co.uk

**JUMO Process Control, Inc.**  
 6724 Joy Road  
 East Syracuse, NY 13057, USA  
 Phone: +1 315 437 5866  
 Fax: +1 315 437 5860  
 Email: info.us@jumo.net  
 Internet: www.jumousa.com



Process connection	DN	Ø D <sub>1</sub>	Ø D <sub>2</sub>	Ø D <sub>3</sub>	Ø D <sub>4</sub>	L <sub>1</sub>
603	20	36.5	30	RD 44 × 1/6	54	13
604	25	44	35	RD 52 × 1/6	63	15
605	32	50	41	RD 58 × 1/6	70	15
606	40	56	48	RD 65 × 1/6	78	15
607	50	68.5	61	RD 78 × 1/6	92	16

Process connection	DN	Ø D <sub>1</sub>	Ø D <sub>2</sub>
612	20	27.5	34
613 <sup>a</sup>	25	43.5	50.5
616 <sup>a</sup>	50	56.5	64

<sup>a</sup> Certified according to EHEDG

Process connection	DN	Ø D
685 <sup>a</sup>	25 to 30	50

<sup>a</sup> Certified according to EHEDG

Process connection	Designation	Max. pressure	Temperature
571	G 3/4" front-flush DIN EN ISO 228.1	25 bar	-10 to +150 °C
		40 bar	-10 to +100 °C
574	G 1/2" front-flush with souble seal	25 bar	-10 to +150 °C
		40 bar	-10 to +100 °C
575	G 3/4" front-flush with souble seal	25 bar	-10 to +150 °C
		40 bar	-10 to +100 °C
576	G 1" front-flush with souble seal	40 bar	-10 to +100 °C
603	Taper socket DN 20 DIN 11851 form SC/SD	40 bar	-10 to +140 °C
604	Taper socket DN 25 DIN 11851 form SC/SD	40 bar	-10 to +140 °C
605	Taper socket DN 32 DIN 11851 form SC/SD	40 bar	-10 to +140 °C
606	Taper socket DN 40 DIN 11851 form SC/SD	40 bar	-10 to +140 °C
607	Taper socket DN 50 DIN 11851 form SC/SD	25 bar	-10 to +140 °C
612	Clamp DN 10/15/20 DIN 32676 row A	25 bar	-10 to +140 °C
613	Clamp DN 25/32/40 DIN 32676 row A	25 bar	-10 to +140 °C
616	Clamp DN 50 DIN 32676 row A	16 bar	-10 to +140 °C
652	Tank connection with grooved union nut DN 25	25	Up to 150 °C
		40	Up to 100 °C
685	VARIVENT connection DN 32/25	25	Depends on seal material

Data for pressure and temperature range according to DIN standard. The temperature range depends on the sealing material and the pressure range.

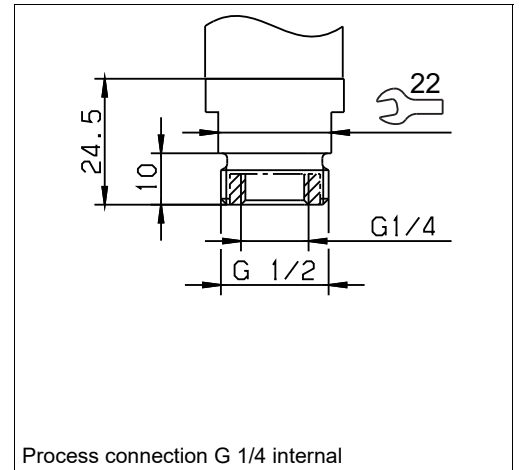
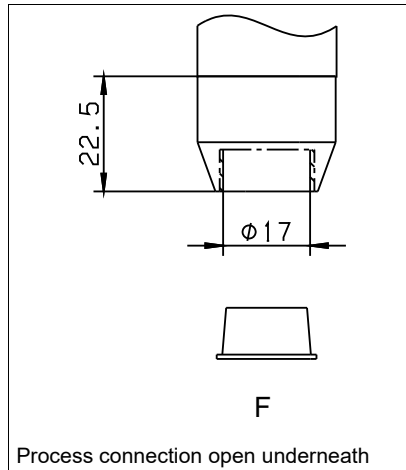
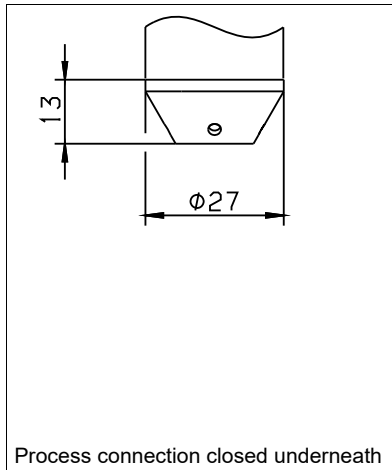
**JUMO GmbH & Co. KG**  
 Delivery address: Mackenrodtstraße 14  
 36039 Fulda, Germany  
 Postal address: 36035 Fulda, Germany  
 Phone: +49 661 6003-0  
 Fax: +49 661 6003-607  
 Email: mail@jumo.net  
 Internet: www.jumo.net

**JUMO UK LTD**  
 JUMO House  
 Temple Bank, Riverway  
 Harlow, Essex, CM20 2DY, UK  
 Phone: +44 1279 63 55 33  
 Fax: +44 1279 62 50 29  
 Email: sales@jumo.co.uk  
 Internet: www.jumo.co.uk

**JUMO Process Control, Inc.**  
 6724 Joy Road  
 East Syracuse, NY 13057, USA  
 Phone: +1 315 437 5866  
 Fax: +1 315 437 5860  
 Email: info.us@jumo.net  
 Internet: www.jumousa.com



**Level probe**



F Protective cap

**JUMO GmbH & Co. KG**  
 Delivery address: Mackenrodtstraße 14  
 36039 Fulda, Germany  
 Postal address: 36035 Fulda, Germany  
 Phone: +49 661 6003-0  
 Fax: +49 661 6003-607  
 Email: mail@jumo.net  
 Internet: www.jumo.net

**JUMO UK LTD**  
 JUMO House  
 Temple Bank, Riverway  
 Harlow, Essex, CM20 2DY, UK  
 Phone: +44 1279 63 55 33  
 Fax: +44 1279 62 50 29  
 Email: sales@jumo.co.uk  
 Internet: www.jumo.co.uk



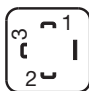
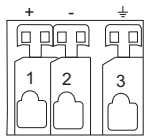



**JUMO Process Control, Inc.**  
 6724 Joy Road  
 East Syracuse, NY 13057, USA  
 Phone: +1 315 437 5866  
 Fax: +1 315 437 5860  
 Email: info.us@jumo.net  
 Internet: www.jumousa.com



## Connection elements

The connection elements in the data sheet provide information on product selection.

**For the electrical connection, only use the installation instructions or the operating manual.**

Connection		Terminals			
					
		12 Attached cable	36 Round plug M12 × 1	61 Line socket	75 Terminal head
<b>4 to 20 mA, two-wire</b>					
Voltage supply DC 11 to 28 V intrinsically safe	U <sub>B</sub> /S+ 0 V/S-	WH GY	1 BN 3 BU	1 2	1 2
Potential equilibration (FE)			2	<sup>a</sup> 	3 
Screen A shielded cable must be used for the connection! The shield must be grounded on both sides!		BK			

<sup>a</sup> Symbol on cable socket

**JUMO GmbH & Co. KG**  
 Delivery address: Mackenrodtstraße 14  
 36039 Fulda, Germany  
 Postal address: 36035 Fulda, Germany  
 Phone: +49 661 6003-0  
 Fax: +49 661 6003-607  
 Email: mail@jumo.net  
 Internet: www.jumo.net

**JUMO UK LTD**  
 JUMO House  
 Temple Bank, Riverway  
 Harlow, Essex, CM20 2DY, UK  
 Phone: +44 1279 63 55 33  
 Fax: +44 1279 62 50 29  
 Email: sales@jumo.co.uk  
 Internet: www.jumo.co.uk

**JUMO Process Control, Inc.**  
 6724 Joy Road  
 East Syracuse, NY 13057, USA  
 Phone: +1 315 437 5866  
 Fax: +1 315 437 5860  
 Email: info.us@jumo.net  
 Internet: www.jumousa.com



## Order details

	<b>(1) Basic type</b>
404753/000	JUMO dTRANS p33 – Pressure transmitter or level probe for use in hazardous areas
404753/004	JUMO dTRANS p33 – Pressure transmitter or level probe for use in hazardous areas, for elevated medium temperatures up to 200 °C <sup>a</sup>
	<b>(2) Input</b>
451	0 to 0.25 bar relative pressure
452	0 to 0.4 bar relative pressure
453	0 to 0.6 bar relative pressure
454	0 to 1 bar relative pressure
455	0 to 1.6 bar relative pressure
456	0 to 2.5 bar relative pressure
457	0 to 4 bar relative pressure
458	0 to 6 bar relative pressure
459	0 to 10 bar relative pressure
460	0 to 16 bar relative pressure
461	0 to 25 bar relative pressure
462	0 to 40 bar relative pressure
463	0 to 60 bar relative pressure
464	0 to 100 bar relative pressure
465	0 to 160 bar relative pressure
466	0 to 250 bar relative pressure
467	0 to 400 bar relative pressure
468	0 to 600 bar relative pressure
475	-0.25 to 0 bar relative pressure
476	-0.4 to 0 bar relative pressure
477	-0.6 to 0 bar relative pressure
478	-1 to 0 bar relative pressure
479	-1 to +0.6 bar relative pressure
480	-1 to +1.5 bar relative pressure
481	-1 to +3 bar relative pressure
482	-1 to +5 bar relative pressure
483	-1 to +9 bar relative pressure
484	-1 to +15 bar relative pressure
485	-1 to +24 bar relative pressure
487	0 to 0.6 bar absolute pressure
488	0 to 1 bar absolute pressure
489	0 to 1.6 bar absolute pressure
490	0 to 2.5 bar absolute pressure
491	0 to 4 bar absolute pressure
492	0 to 6 bar absolute pressure
493	0 to 10 bar absolute pressure
494	0 to 16 bar absolute pressure
495	0 to 25 bar absolute pressure
998	Special range absolute pressure
999	Special range relative pressure
	<b>(3) Output</b>
405	4 to 20 mA, two-wire
	<b>(4) Process connection</b>
502	G 1/4 to DIN EN 837
504	G 1/2 to DIN EN 837

**JUMO GmbH & Co. KG**  
 Delivery address: Mackenrodtstraße 14  
 36039 Fulda, Germany  
 Postal address: 36035 Fulda, Germany  
 Phone: +49 661 6003-0  
 Fax: +49 661 6003-607  
 Email: mail@jumo.net  
 Internet: www.jumo.net

**JUMO UK LTD**  
 JUMO House  
 Temple Bank, Riverway  
 Harlow, Essex, CM20 2DY, UK  
 Phone: +44 1279 63 55 33  
 Fax: +44 1279 62 50 29  
 Email: sales@jumo.co.uk  
 Internet: www.jumo.co.uk

**JUMO Process Control, Inc.**  
 6724 Joy Road  
 East Syracuse, NY 13057, USA  
 Phone: +1 315 437 5866  
 Fax: +1 315 437 5860  
 Email: info.us@jumo.net  
 Internet: www.jumousa.com



511	1/4–18 NPT to DIN EN 837
512	1/2–14 NPT to DIN EN 837
523	G 1/2 to DIN 3852-11
567	Level probe: G 1/4 internal <sup>b, c</sup>
571	G 3/4 front-flush to DIN EN ISO 228-1 <sup>d</sup>
574	G 1/2 front-flush with double seal <sup>e</sup>
575	G 3/4 front-flush with double seal <sup>f</sup>
576	G 1 front-flush with double seal <sup>f</sup>
603	Taper socket with union nut to DIN 11851, DN 20 (dairy pipe fitting) <sup>g</sup>
604	Taper socket with union nut to DIN 11851, DN 25 (dairy pipe fitting) <sup>g</sup>
605	Taper socket with union nut to DIN 11851, DN 32 (dairy pipe fitting) <sup>g</sup>
606	Taper socket with union nut to DIN 11851, DN 40 (dairy pipe fitting) <sup>g</sup>
607	Taper socket with union nut to DIN 11851, DN 50 (dairy pipe fitting) <sup>h</sup>
612	Clamping socket DN 10, DN 15, DN 20, DIN 32676 <sup>h</sup>
613	Clamping socket DN 25, DN 32, DN 40, with Tri-Clamp seal Combifit International B.V., certified according to EHEDG <sup>h</sup>
616	Clamping socket DN 50, with Tri-Clamp seal Combifit International B.V., certified according to EHEDG <sup>i</sup>
652	Tank connection with union nut, DN 25 <sup>j</sup>
658	Level probe: connection closed underneath <sup>b, k</sup>
659	Level probe: connection open underneath <sup>b, k</sup>
685	VARIVENT, type F, DN 32/25, with EPDM O-ring, certified according to EHEDG <sup>l</sup>
	<b>(5) Material of process connection</b>
20	CrNi (stainless steel)
	<b>(6) Electrical connection</b>
12	Connecting cable, screened
36	M12 plug connector
61	Line socket to DIN EN 175301-803, form A
75	Terminal head
	<b>(7) Filling medium for measurement system</b>
0	None
1	Silicone oil
	<b>(8) Calibration certificate</b>
j	With
n	None (standard)
	<b>(9) Extra code</b>
085	UKCA Ex approval
240	EAC Ex approval
406	Level probe: IP68 protection, attached cable, class 2G, zone 1 <sup>m</sup>
407	Level probe: IP68 protection, attached cable, class 1G, zone 0 <sup>m, n</sup>
452	Parts in contact with the medium electro-polished
624	Free of oil and grease
634	TAG number
954	Technical passport

<sup>a</sup> The basic type 404753/004 is not available with the inputs 451, 452, 453, 454, 465, 466, 467, 468, 475, 476, 477, 478, 487, 488 and not available with process connections 571, 574, 575, 603, 604, 605, 606, 607, 612, 613, 616, 652, 658, 659.

<sup>b</sup> The process connections 567, 658, 659 are only available with inputs 451, 452, 453, 454, 455, 456, 457, 458, 459.

<sup>c</sup> The process connection 567 is not available in conjunction with extra code 407.

<sup>d</sup> The process connection 571 is not available with inputs 463, 464, 465, 466, 467, 468 (up to 40 bar and temperature range -10 to +100 °C).

<sup>e</sup> The process connection 574 is not available with inputs 451, 452, 453, 463, 464, 465, 466, 467, 468, 475, 476, 477, 487 (up to 40 bar and temperature range -10 to +100 °C).

<sup>f</sup> The process connections 575, 576, 581 are not available with inputs 463, 464, 465, 466, 467, 468 (up to 40 bar and temperature range -10 to +100 °C).

<sup>g</sup> The process connections 603, 604, 605, 606 are not available with inputs 463, 464, 465, 466, 467, 468 (up to 40 bar and temperature range -10 to +140 °C).

**JUMO GmbH & Co. KG**  
 Delivery address: Mackenrodtstraße 14  
 36039 Fulda, Germany  
 Postal address: 36035 Fulda, Germany  
 Phone: +49 661 6003-0  
 Fax: +49 661 6003-607  
 Email: mail@jumo.net  
 Internet: www.jumo.net

**JUMO UK LTD**  
 JUMO House  
 Temple Bank, Riverway  
 Harlow, Essex, CM20 2DY, UK  
 Phone: +44 1279 63 55 33  
 Fax: +44 1279 62 50 29  
 Email: sales@jumo.co.uk  
 Internet: www.jumo.co.uk

**JUMO Process Control, Inc.**  
 6724 Joy Road  
 East Syracuse, NY 13057, USA  
 Phone: +1 315 437 5866  
 Fax: +1 315 437 5860  
 Email: info.us@jumo.net  
 Internet: www.jumousa.com



- <sup>h</sup> The process connections 607, 612, 613 are not available with inputs 462, 463, 464, 465, 466, 467, 468 (up to 25 bar and temperature range -10 to +140 °C).
- <sup>i</sup> The process connection 616 is not available with inputs 461, 462, 463, 464, 465, 466, 467, 468, 495 (up to 16 bar and temperature range -10 to +140 °C).
- <sup>j</sup> The process connection 652 is not available with inputs 463, 464, 465, 466, 467, 468 (up to 40 bar and temperature range -10 to +100 °C).
- <sup>k</sup> The process connections 658, 659 are only available in conjunction with extra codes 406 and 407.
- <sup>l</sup> The process connection 685 is not available with inputs 462, 463, 464, 465, 466, 467, 468 (up to 25 bar, temperature range depends on seal material).
- <sup>m</sup> For extra codes 406 and 407 details for cable length in plain text (max. 50 m); standard material: Polyethylene; electrical connection: connecting cable, screened.
- <sup>n</sup> Select the overall system on the part of the operator in such a way that a zone separation suitable for the application is ensured. This must be realized by including a protective tube and screw fittings in accordance with EN 60079-1. The requirements are described in the operating instructions.

	(1)	(2)	(3)	(4)	(5)	(6)	(7)	(8)	(9)								
<b>Order code</b>																	
<b>Order example</b>	404753/000	-	451	-	405	-	504	-	20	-	61	-	1	-	n	/	000

## Accessories

Designation	Part no.
Terminal case with pressure compensation element	00061206
Cable holder	00061389
Pressure compensation filter for cable	00382632
Sealing screw	00333329
Ex-i repeater power supply and input isolating amplifier	00577948
2-valve block PN 420, DN 5, version 1/2-NPT/1/2-NPT	00561605
2-valve block PN 420, DN 5, version 1/2-NPT/G 1/2"	00550362

## Trademark information

All trademarks and trade and company names used are the property of their rightful owners or authors.