

MPB SERIES 1700 VARIABLE AREA FLOWMETER

GENERAL INFORMATION

The MPB Series 1700 Variable Area Flowmeter offers an economical solution for the instantaneous reading of a wide range of flows including most process gases and liquids.

The MPB Series 1700 Variable Area Flowmeter is ideally suited where highly corrosive mediums are being metered, ie sodium hypochlorite, saturated brine solutions, etc

Suitable for in-line, or front of panel mounting.
Full rear of panel mounting kit available, complete with bezel and all fittings.

MPB SERIES 1700 FEATURES

- ECONOMICAL COST
- STANDARD CONNECTIONS INCLUDE STAINLESS STEEL, RIGID PVC, OR TO CUSTOMER'S SPECIFICATION
- HIGHLY COMPATIBLE WITH A WIDE RANGE OF PROCESS GASES AND LIQUIDS
- DIRECT READING OF INSTANTANEOUS FLOW RATE
- INTEGRAL POLYCARBONATE SAFETY COVER
- SUITABLE FOR IN-LINE MOUNTING
- EASY IN-SITU TUBE REMOVAL
- LONG SERVICE LIFE
- LOW HEAD LOSS
- EASILY READ SCALE
- FULL REAR OF PANEL MOUNTING KIT AVAILABLE, MPBTB 048

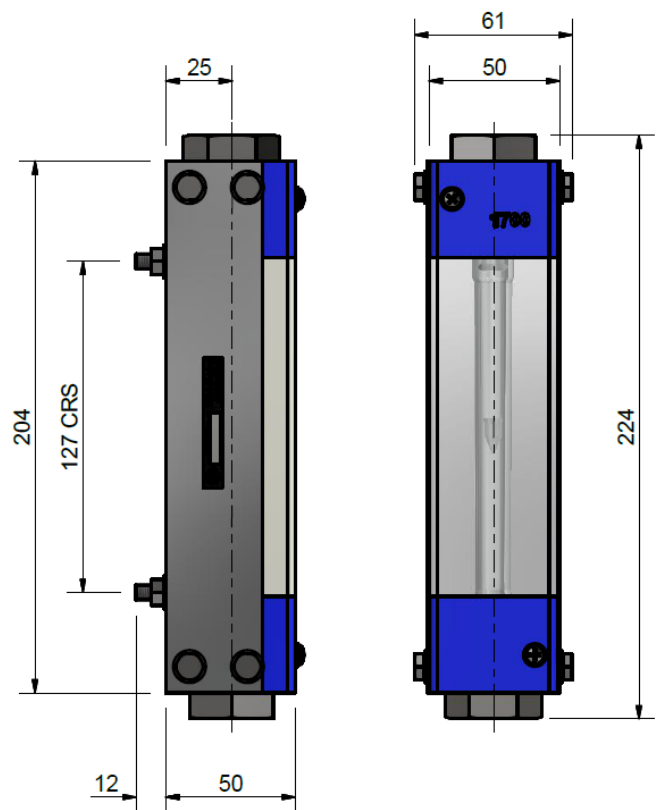


MPB SERIES 1700 VARIABLE AREA FLOWMETER

Chassis:	Anodised aluminium to BSEN12373/AA25	Plumb Bob Floats:	Hard anodised aluminium, 316 Stainless steel, RPVC, or glass filled PTFE
End Connections:	Rigid PVC, or 303 Stainless steel	Ball Floats:	Glass, 316 Stainless steel, Ceramic, Ruby, Tungsten
Process Connections:	1/4", 3/8" & 1/2" BSPFF	Weight:	700 grams (typical)
Cover:	Polycarbonate	Maximum Working Pressure:	Gas: up to 20 bar g (non-shock) Liquid: up to 20 bar g (non-shock)
Seals:	Nitrile, Viton, EPDM, etc	Maximum Working Temperature:	60°C, Nitrile 100°C Viton
Metering Tube:	Fully stress-relieved Borosilicate glass	Accuracy:	± 5% FSD for predicted scales ± 2% FSD for calibrated scales
Scale:	Permanently fired black ceramic		

STANDARD RANGES

AIR @ 1013 mbar abs 20°C	WATER @ 20°C
25 - 250cc/min	5 - 50cc/min
50 - 500cc/min	10 - 100cc/min
0.1 - 1 L/min	25 - 250cc/min
0.2 - 2.5 L/min	50 - 500cc/min
0.5 - 5 L/min	0.1 - 1 L/min
1.0 - 10 L/min	0.2 - 2 L/min
1.5 - 15 L/min	0.3 - 3 L/min
2.5 - 25 L/min	0.5 - 5 L/min
5.0 - 50 L/min	0.7 - 7.5 L/min
10 - 100 L/min	1.0 - 10 L/min
15 - 150 L/min	



Customised flow ranges are available. Please consult MPB Industries to select the required flow range for the process fluid used.

MPB Industries Ltd - Designers and Manufacturers of Scientific and Process Control Instrumentation

Part of the Scientific Digital Imaging plc (SDI) group of companies
Unit 1 Branbridges Ind Est, East Peckham, Kent TN12 5HF, UK, Tel: +44 (0)1622 872401
mail@mpbflowmeters.com, www.mpbflowmeters.com



Due to the constant development and improvement of products, information may be altered or withdrawn without notice.